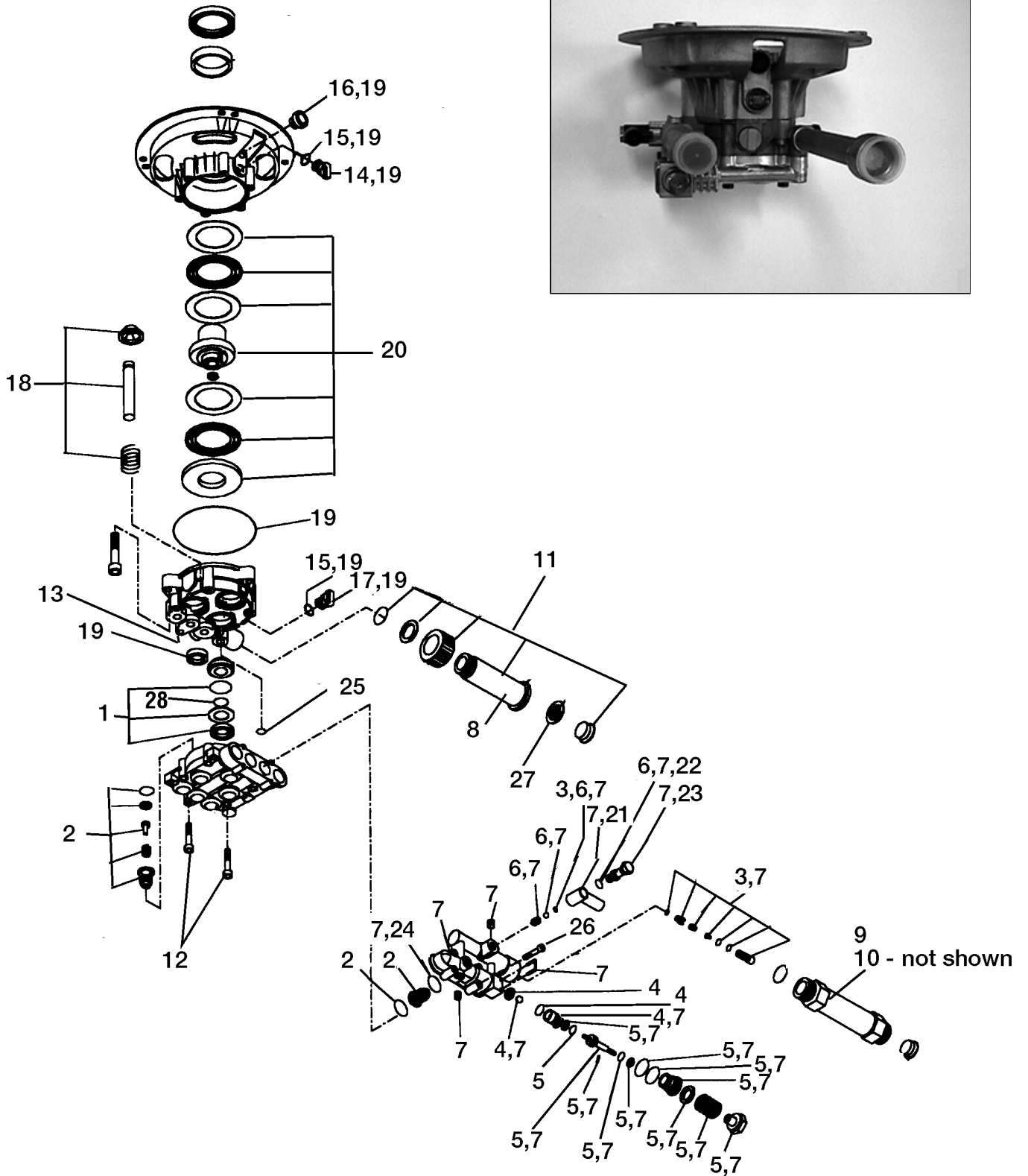
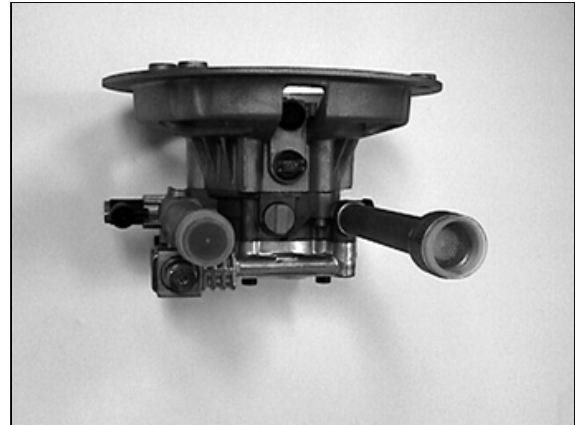


# PK16862 - PUMP, FAIP



# PK16862 - PUMP, FAIP - PARTS LIST

<u>Key#</u>	<u>Part #</u>	<u>Description</u>
1	16025	Water Packing Kit
2	16026	Valve Kit
3	16027	Unloader Kit
4	16029	Unloader Kit
5	16030	Unloader Kit
6	16028	Injector Repair Kit
7	16031	Manifold assembly Kit
8	15958	Inlet Tube
9	15959	Outlet Tube - (Male x Male threaded ends)
10	16290	Kit Outlet Ext. - (Male x Female threaded ends)
11	16289	Kit Inlet Ext.
12	16109	Allen Screw
13	16505	Thermal Relief Valve
14	16736	Plug
15	16104	O-ring
16	16103	Vented Valve
17	16736	Oil Drain Plug
18	16287	Piston Kit
19	16286	Oil Seal Kit
20	16288	Wobble Plate Bearing Kit
21	FA-52036700	Detergent, Elbow
22	FA-15000600	O-Ring
23	FA-50139700	Screw, Bass Retainer
24	FA-15060500	O-ring
25	FA-15000100	O-Ring
26	FA-10205200	Screw
27	F187	Screen
28	FA-15001500	O-Ring

## ***General Information:***

- Red dot on pump shaft
- Built-in unloader
- 15W30 synthetic oil - 4 oz.
- Pump kit contains:
  - 15955 pump
  - 15231 chemical hose
  - 16505 thermal relief valve
  - 15294 key
  - 16330 plastic cap

# PK16862 - PUMP, FAIP REPAIR KIT

**16025 Water Packing Kit**



**16029 Unloader Set Kit**



**16026 Valve Kit**



**16030 Unloader Stem Kit**



**16027 Unloader Check Kit**

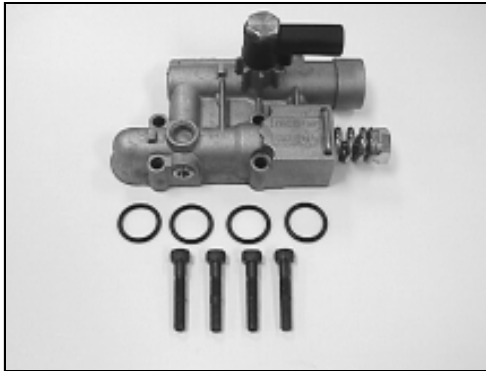


**16028 Injector Repair Kit**



# PK16862 - PUMP, FAIP REPAIR KIT

16031 Manifold Assy. Kit



16287 Piston Kit



16286 Oil Seal Kit



16288 Wobble Plate Bearing Kit

