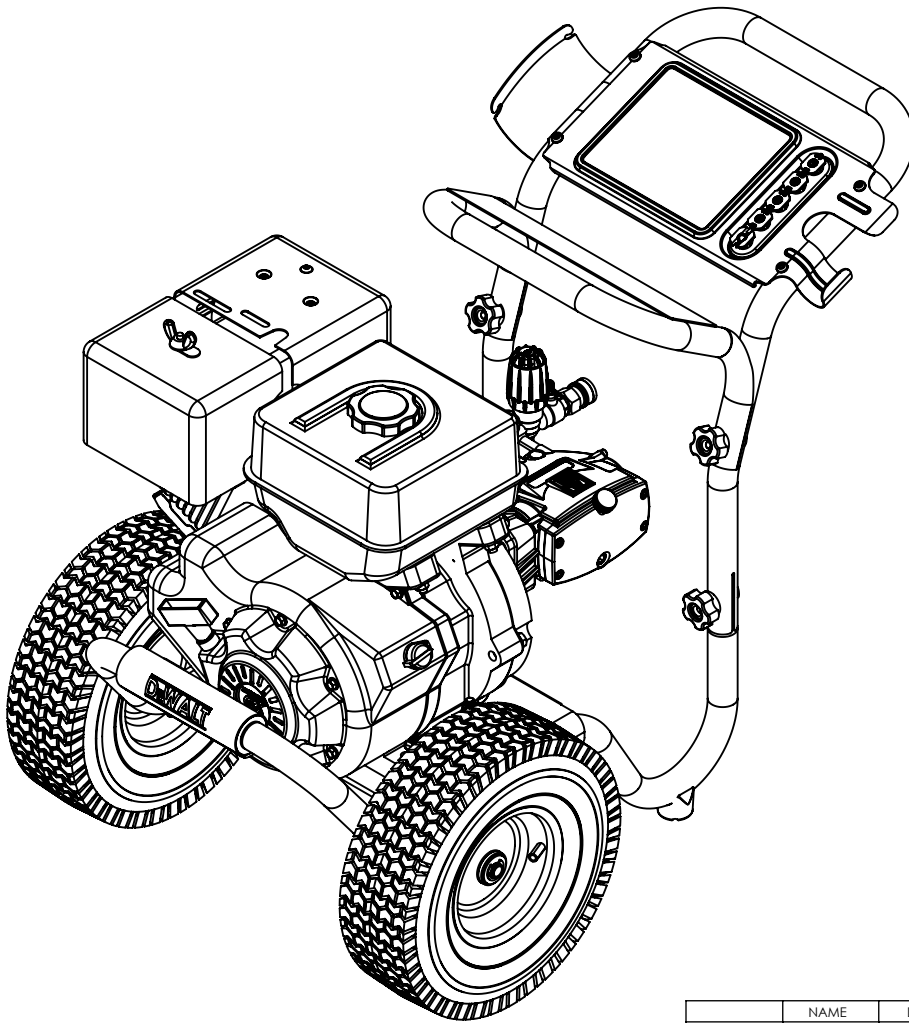
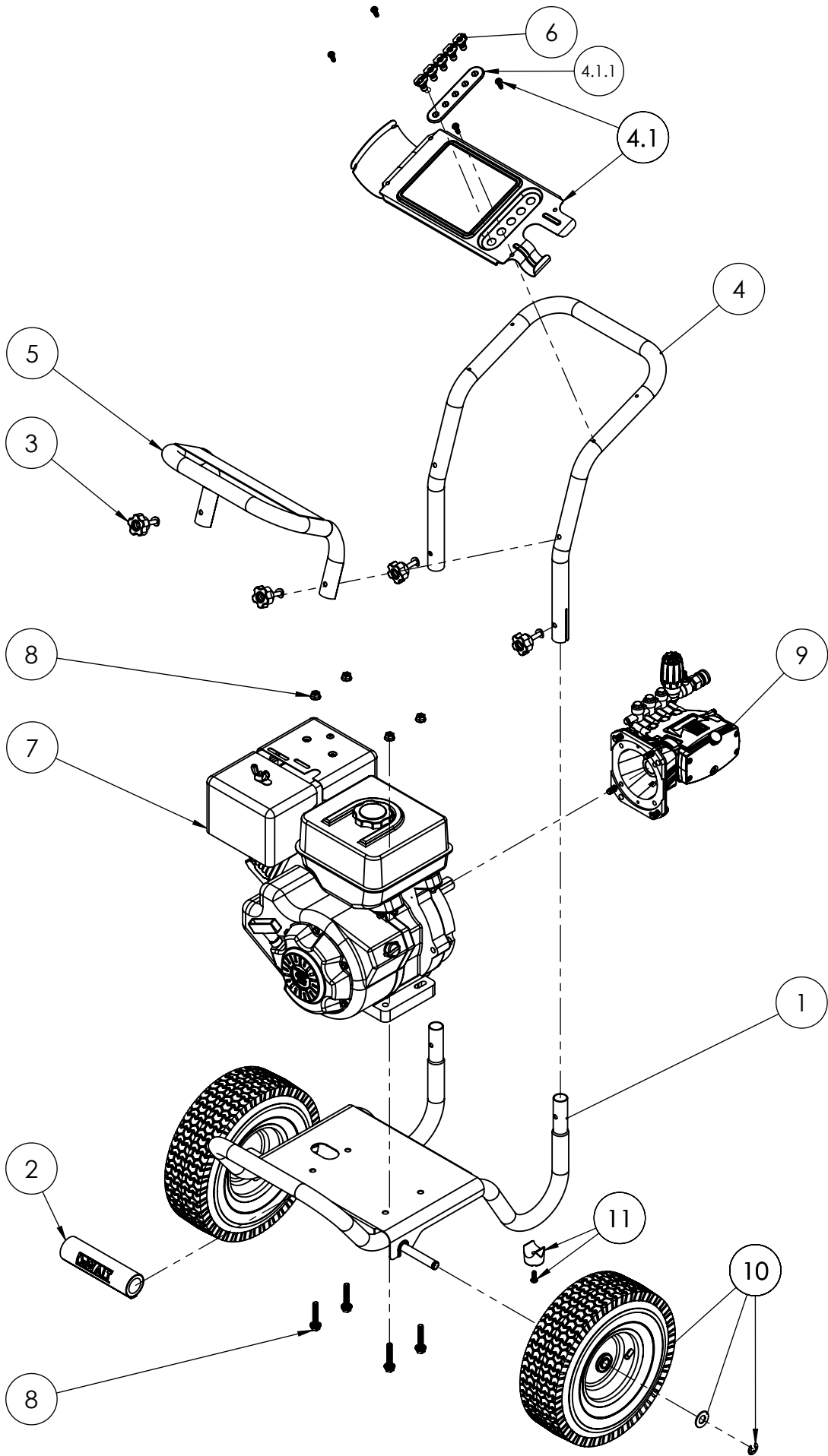


ITEM	PART NO	QTY.	DESCRIPTION
1	7110018	1	FRAME, BASE ASSY, 13.25" C-C, FLAT BLACK
2	7104641	1	HANDLE GRIP, VINYL COVER DEWALT
3	7107941	4	KNOB-BOLT ASSEMBLY
4	7111352	1	HANDLE SVC ASSY, 60896
4.1	7111351	1	DASHBOARD SVC ASSY, 60896
4.1.1	7103161	1	NOZZLE HOLDER, 5PC RUBBER
5	7111347	1	QUICK START HANDLE ASSY, DEWALT
6	7101683	1	NOZZLE SET, 4.0 5PC 1/4" QC-M
7	7111350	1	ENGINE SVC ASSY GX390
8	7103277	1	HARDWARE KIT, ENGINE MOUNTING
9	7110179	1	PUMP SERVICE ASSY, COMET EW4040
10	7105376	2	KIT, 13" WHEEL SERVICE
11	7105468	2	FOOT, SVC KIT FITTED RUBBER AND SCREW

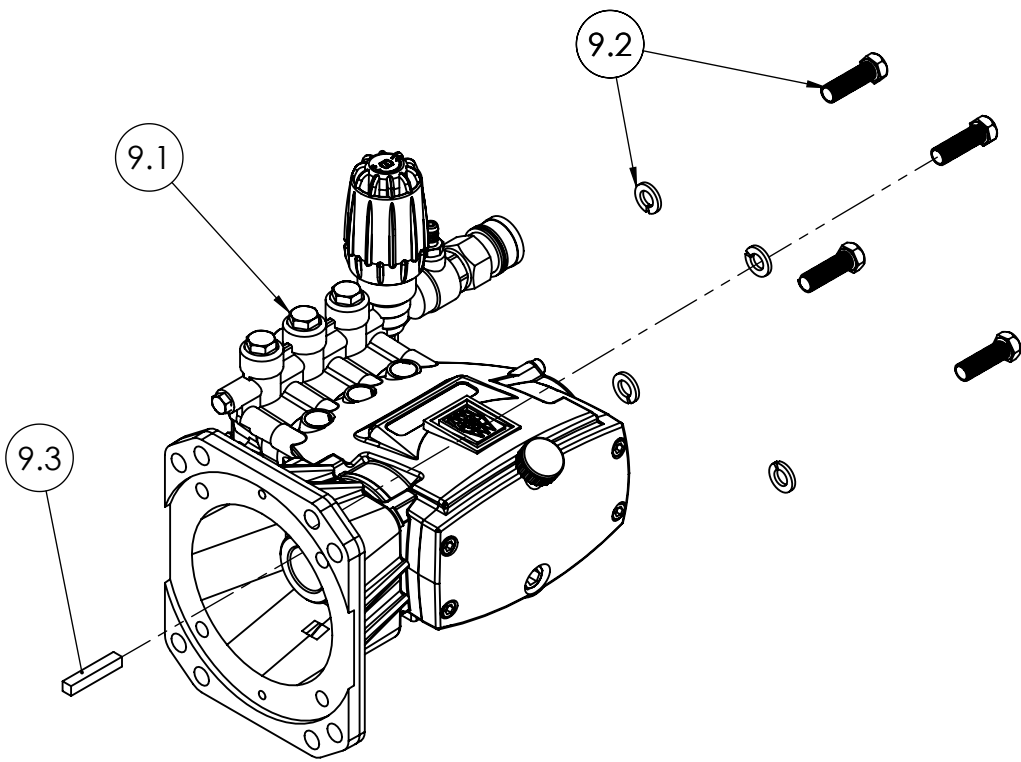


NAME		DATE	FNA-GROUP		
DRAWN	JSkrzypchakJS	07/19/2018-	7152 99th Street, Pleasant Prairie, WI 53158		
CHECKED	-	-	TITLE:		
ENG APPR.	-	-	DEWALT DXPW4440 4400PSI @ 4.0GPM		
MFG APPR.	-	-			
Q.A. APPR.	-	-			
SERVICE APPR.	-	-			
<b>PROPRIETARY AND CONFIDENTIAL</b> THE INFORMATION CONTAINED IN THIS DRAWING IS THE SOLE PROPERTY OF FNA-GROUP. ANY REPRODUCTION IN PART OR AS A WHOLE WITHOUT THE WRITTEN PERMISSION OF FNA-GROUP IS PROHIBITED.			SIZE	DWG. NO.	REV.
			<b>A</b>	<b>60896-S</b>	<b>A</b>
			SCALE: N/A	ECN# EC180453	SHEET 1 OF 3



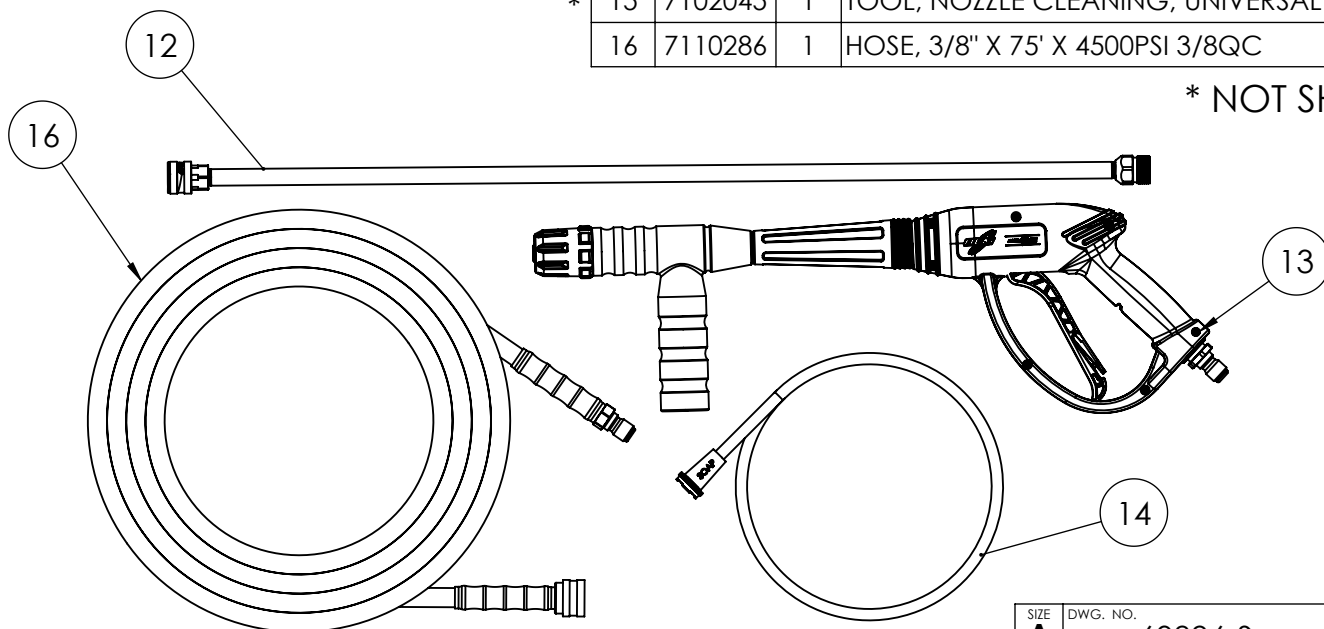
SIZE	DWG. NO.	REV.
<b>A</b>	<b>60896-S</b>	<b>A</b>
SCALE: N/A	WEIGHT: 216.263	SHEET 2 OF 3

ITEM	PART NO	QTY.	DESCRIPTION
9	7110179	1	PUMP SERVICE ASSY, COMET EW4040
9.1	7109267	1	PUMP, COMET EWD4040 W/ POWER BOOST
9.2	7103279	1	KIT, PUMP MOUNTING HARDWARE
9.3	7105453	1	KEY, SHAFT 1/4" X 1/4" X 1-1/2"



ITEM	PART NO	QTY.	DESCRIPTION
12	7103261	1	LANCE, 31" 1/4" QC-F x M22(M)
13	7108127	1	GUN, 4500PSI 6.6GPM, 3/8QC(M) W/SIDE HNDL
14	7102207	1	KIT, SVC ASSY SOAP HOSE W/PLASTIC FILTER
* 15	7102045	1	TOOL, NOZZLE CLEANING, UNIVERSAL
16	7110286	1	HOSE, 3/8" X 75' X 4500PSI 3/8QC

\* NOT SHOWN



SIZE	DWG. NO.	REV.
<b>A</b>	60896-S	<b>A</b>
SCALE: N/A	ECN# -	SHEET 3 OF 3