



13L300

Illustrated Parts List

Model Series

13L300

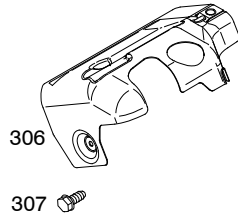
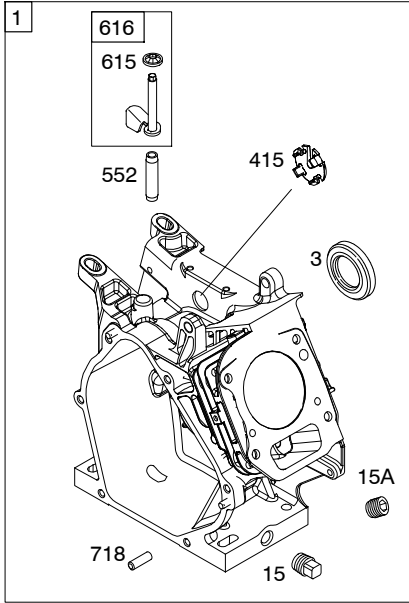
TYPE NUMBERS
0001 THROUGH 1181.

Not for
Reproduction



PRINTED IN U.S.A.

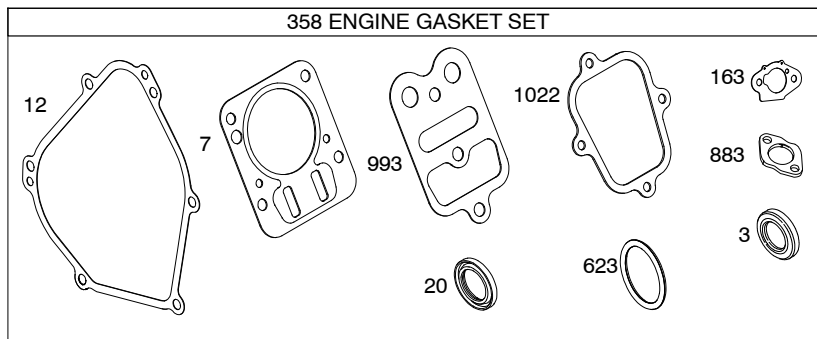
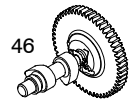
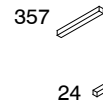
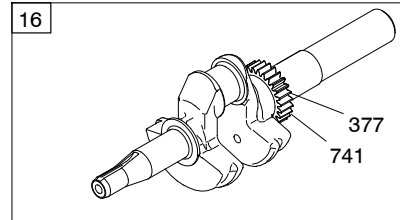
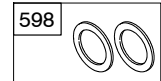
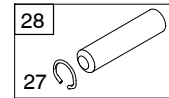
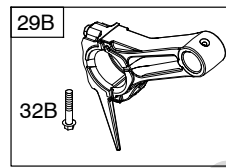
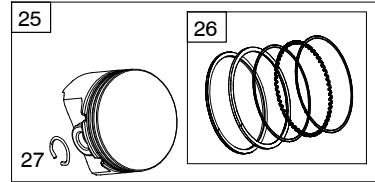
COPYRIGHT by BRIGGS & STRATTON CORPORATION
All rights reserved. No part of this material may be reproduced or transmitted,
in any form or by any means, electronic or mechanical, including photocopying,
recording or by any information storage and retrieval system, without permission
in writing from Briggs & Stratton Corporation.

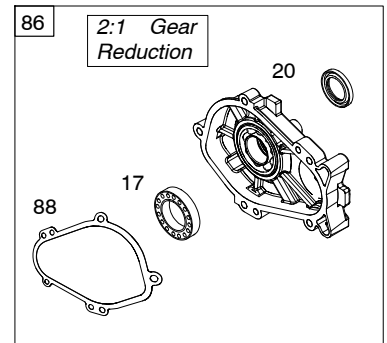
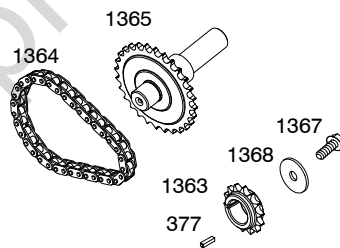
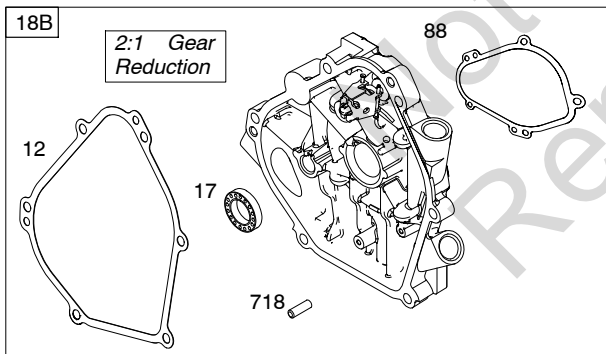
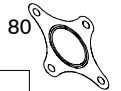
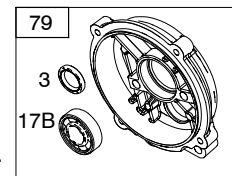
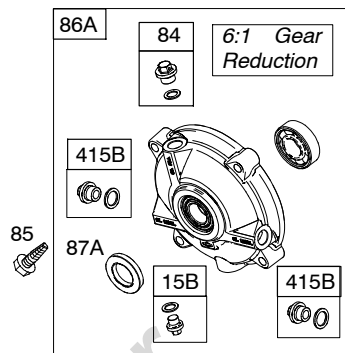
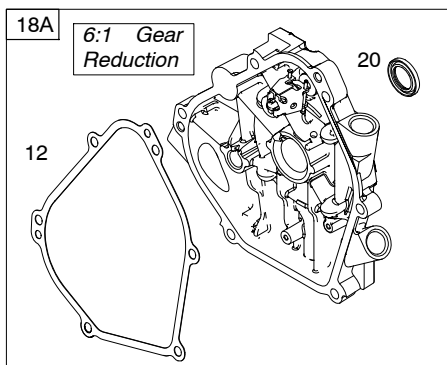
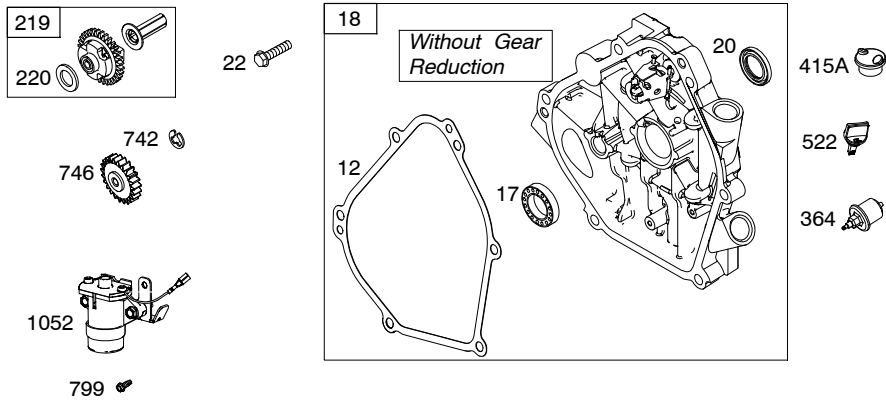


1319 WARNING LABEL
REQUIRED when replacing parts with warning labels affixed.

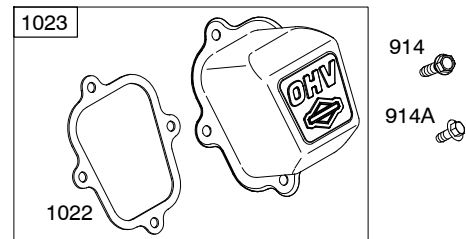
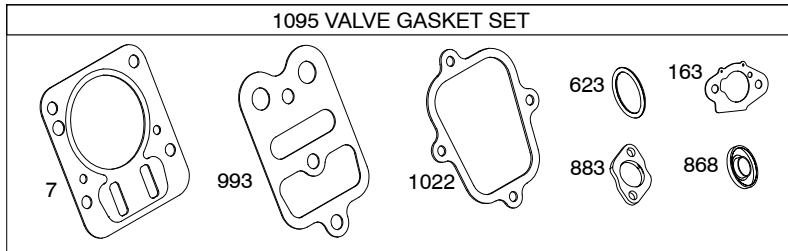
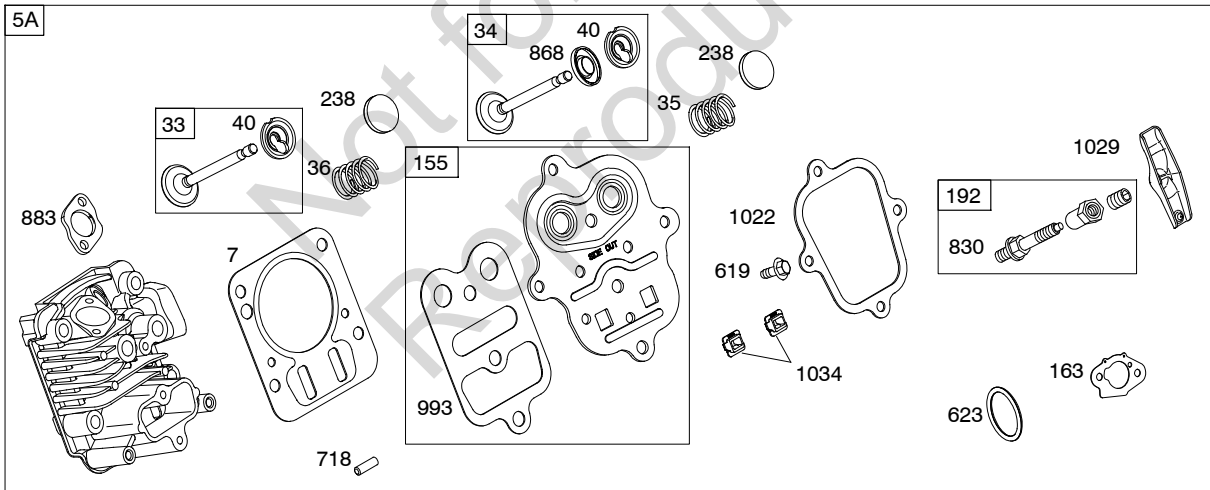
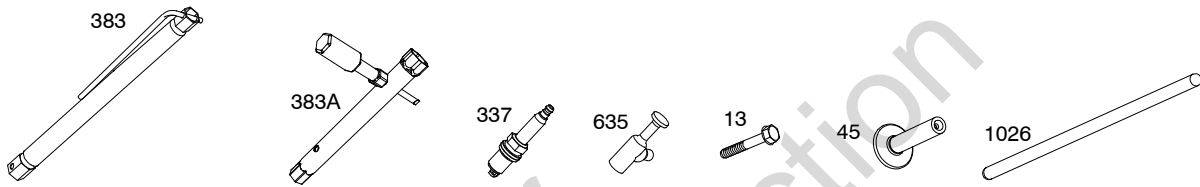
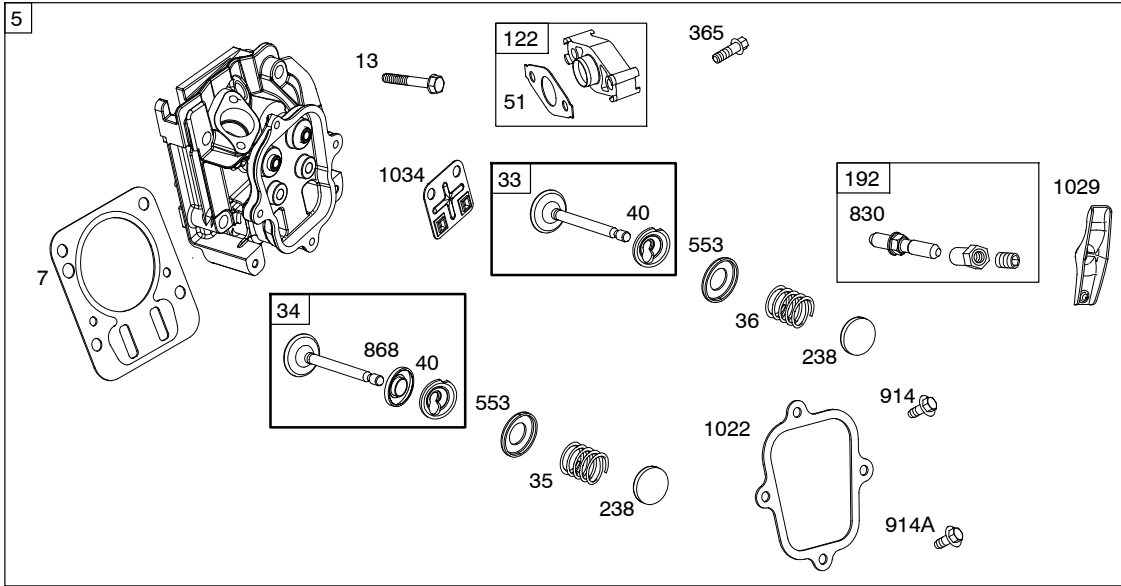
1319A WARNING LABEL
REQUIRED when replacing parts with warning labels affixed.

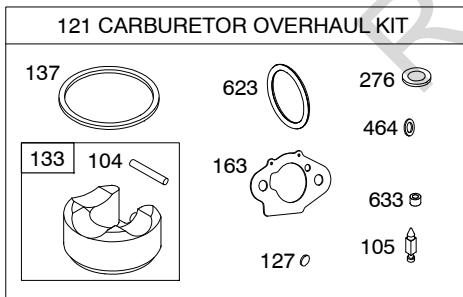
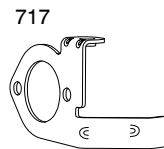
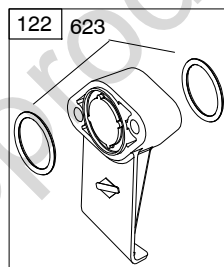
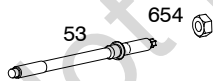
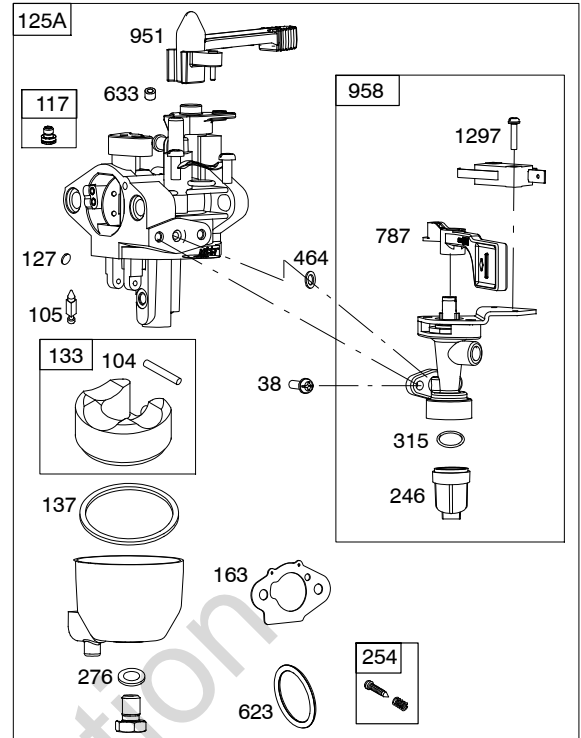
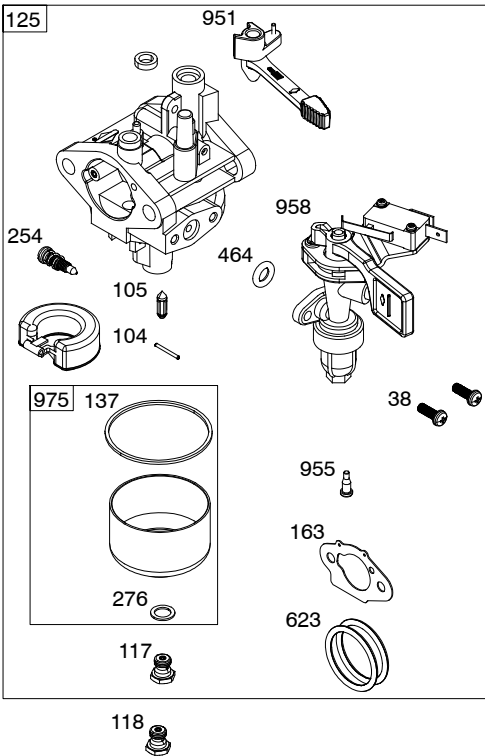
1036 EMISSIONS LABEL



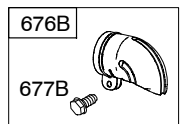
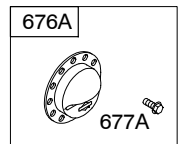
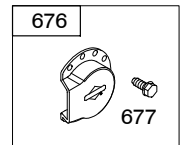
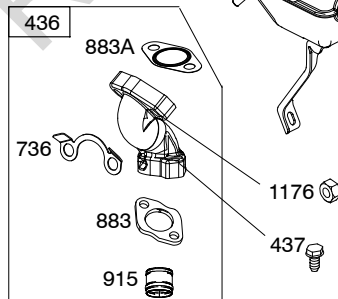
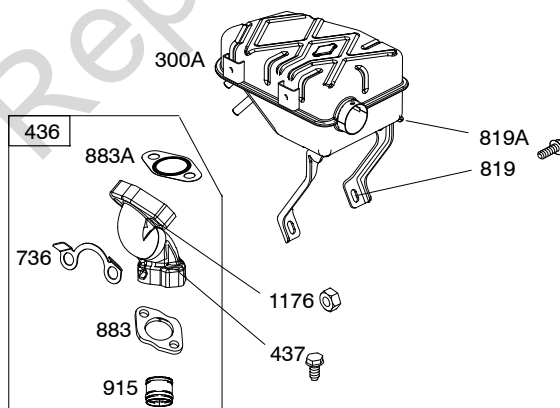
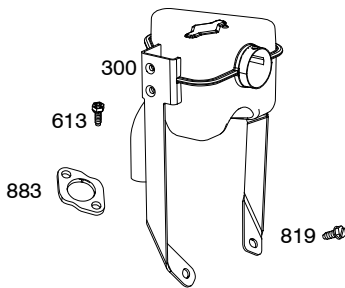
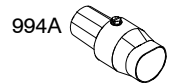
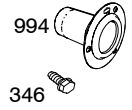
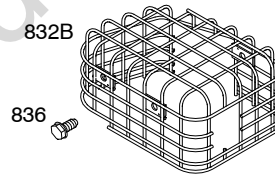
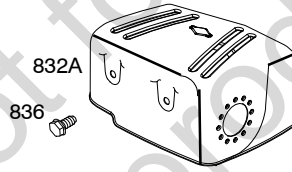
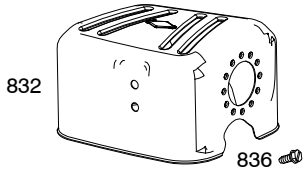
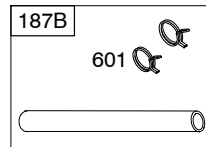
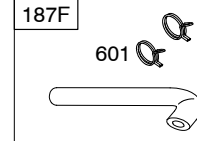
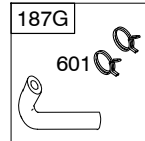
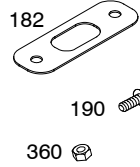
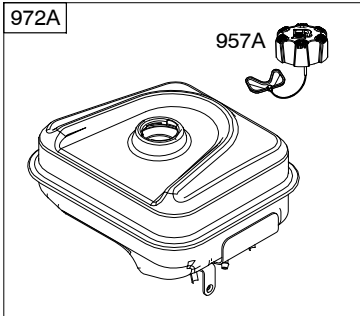
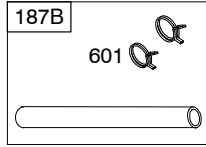
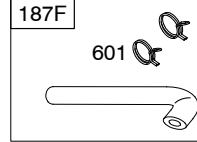
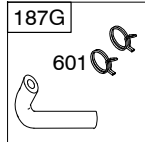
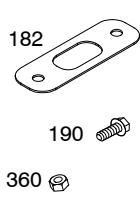
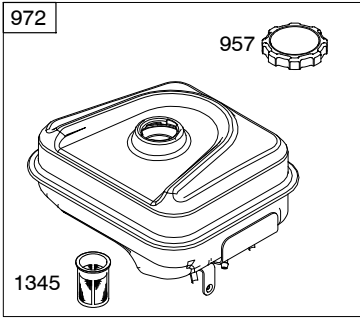


13L300

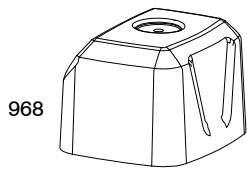




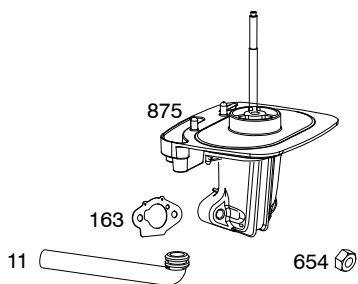
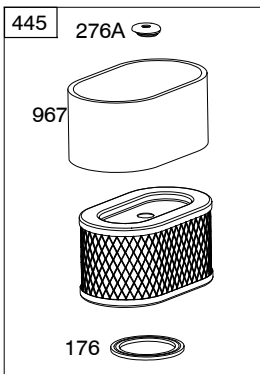
13L300



467 

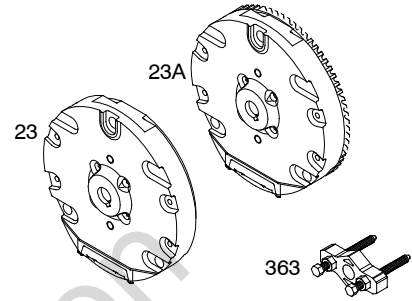
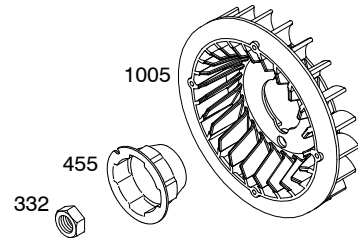
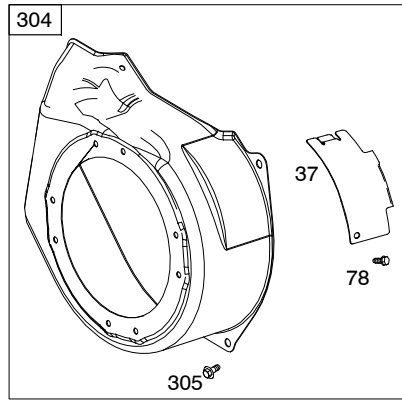
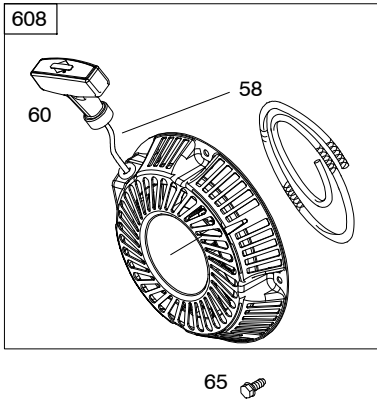


412 

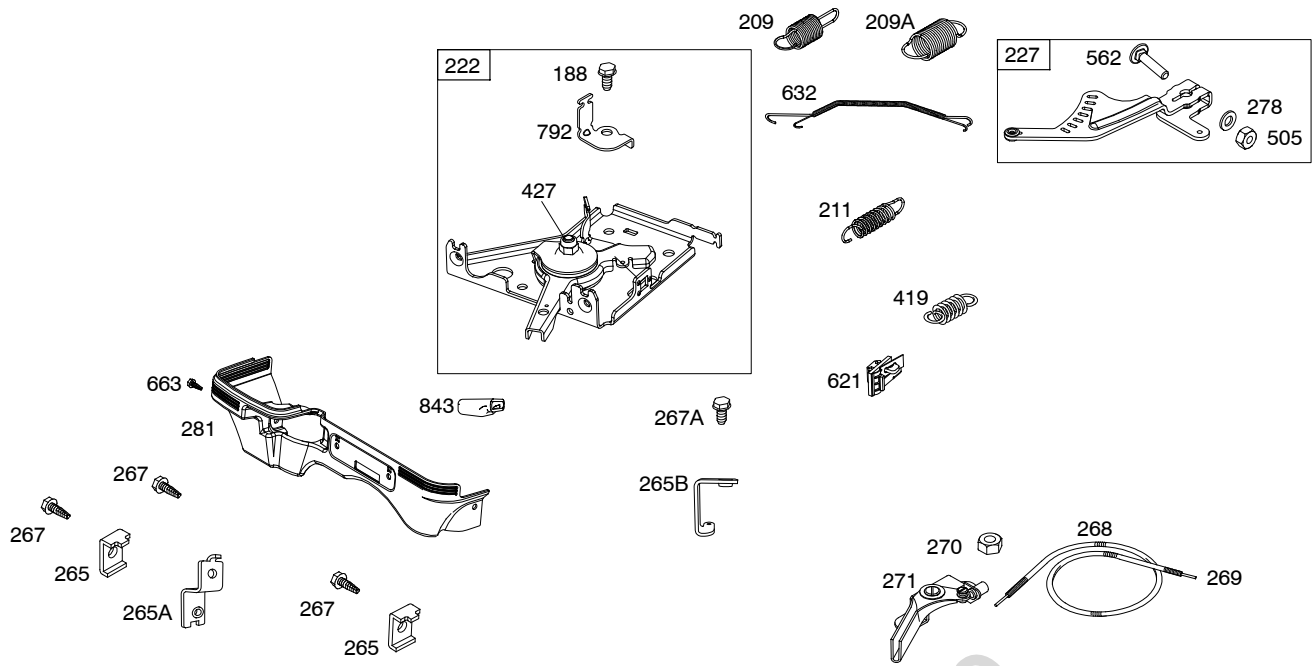


Not for
Reproduction

13L300



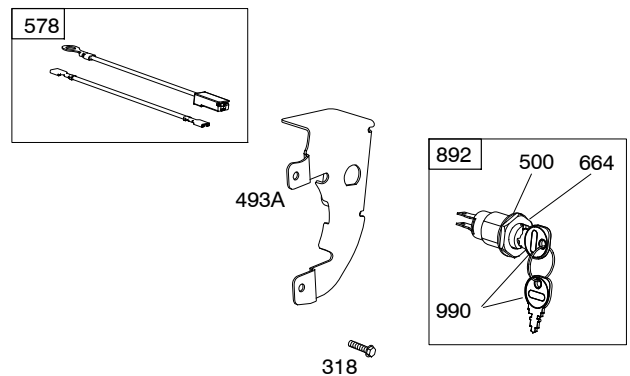
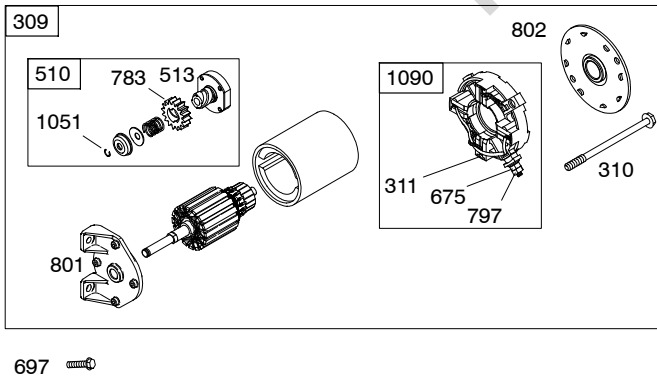
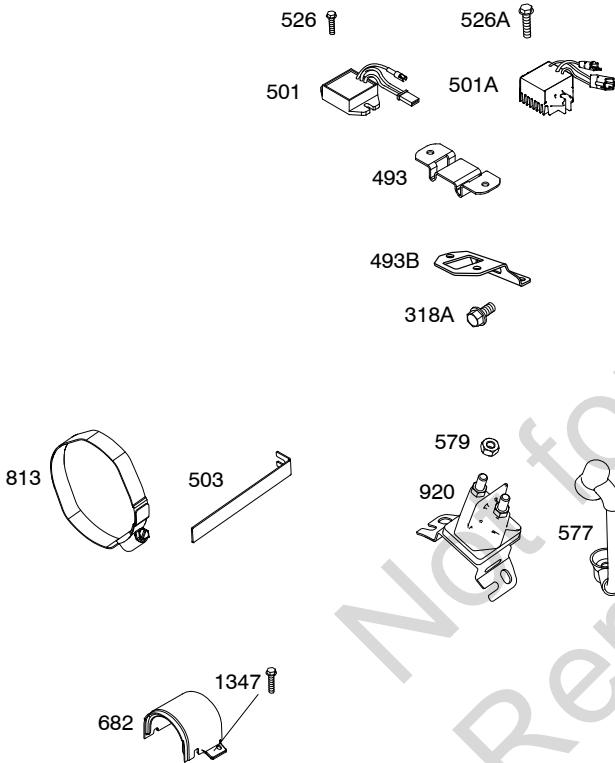
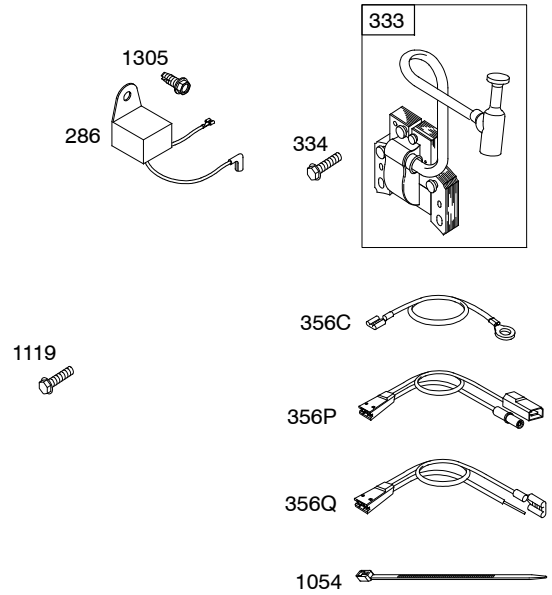
Not for
Reproduction



Not for
Reproduction

13L300

3 AMP. DC	10-16 AMP.	20 AMP.	1.5 AMP. DC
474	474D	474E	474F
<p>NOTE: All stators use a No. 1119 mounting screw.</p> <p>NOTE: The proper flywheel part number and/or the alternator magnet size will determine the alternator type or output. See repair instruction manual for additional information.</p>			



REF. NO.	PART NO.	DESCRIPTION	REF. NO.	PART NO.	DESCRIPTION	REF. NO.	PART NO.	DESCRIPTION
1	593004	Cylinder Assembly ----- Note ----- 798502 Cylinder Assembly Used on Type No(s). 0002, 0004, 0005, 0007, 0111, 0113, 0128, 0318, 0326, 0327, 1128, 1181.	17A	798531	Bearing-Ball	35	691304	Spring-Valve (Intake)
			17B	99158	Bearing-Ball	36	691304	Spring-Valve (Exhaust)
			18	699672	Cover-Crankcase ----- Note ----- 798554 Cover-Crankcase Used on Type No(s). 0001, 0002, 0003, 0128, 0316, 0318.	37	699661	Guard-Flywheel
3	299819S	Seal-Oil (Magneto Side)	18A	798558	Cover-Crankshaft Used on Type No(s). 0006, 0049, 0319.	38	595328	Screw (Fuel Shut Off Valve) (Used After Code Date 15052400) ----- Note -----
5	594514	Head-Cylinder (Used After Code Date 14083100)	18B	798567	Cover-Crankshaft Used on Type No(s). 0050, 0125.			698557 Screw (Fuel Shut Off Valve) (Used Before Code Date 15052500)
5A	798460	Head-Cylinder (Used Before Code Date 14090100)	20	692550	Seal-Oil (PTO Side)	40	692194	Retainer-Valve
7	798461	Gasket-Cylinder Head	22	594761	Screw (Crankcase Cover) (Used After Code Date 14083100) ----- Note -----	45	690977	Tappet-Valve
11	798507	Tube-Breather			799318 Screw (Crankcase Cover) (Used Before Code Date 14090100)	46	696813	Camshaft
12	798462	Gasket-Crankcase	23	798537	Flywheel	51	692555	Gasket-Intake (2 Required)
13	594518	Screw (Cylinder Head) (Used After Code Date 14083100) ----- Note -----	23A	594822	Flywheel Used on Type No(s). 0004, 0007, 0110, 0113, 0115, 0326. ----- Note -----	53	798524	Stud (Carburetor)
		699482 Screw (Cylinder Head) (Used Before Code Date 14090100)			594759 Flywheel Used on Type No(s). 0002, 0005, 0006, 0111, 0128, 0318, 0327, 1128, 1181.	58	66574	Rope-Starter (Cut To Required Length)
15	691686	Plug-Oil Drain (Square Head)	24	796335	Key-Flywheel	60	490652	Grip-Starter Rope
15A	691682	Plug-Oil Drain (Flush Head)	25	799063	Piston Assembly (Standard) ----- Note -----	65	699228	Screw (Rewind Starter) (Metric)
15B	792750	Plug-Oil Drain (Gear Cover)			799064 Piston Assembly (.020" Oversize)	78	699205	Screw (Flywheel Guard)
16	798532	Crankshaft ----- Note -----	26	791969	Ring Set (Standard) ----- Note -----	79	792746	Case-Gear Reduction
		798545 Crankshaft Used on Type No(s). 0005, 0124, 0312, 1126, 1127.			793001 Ring Set (.020" Oversize)	80	792755	Gasket-Gear Case
		798547 Crankshaft Used on Type No(s). 0007, 0008, 0114, 0119, 0120, 0123, 0129, 1139, 1172.				82B	792573	Screw (Gear Reduction Case)
		798548 Crankshaft Used on Type No(s). 0050, 0125.				83	792756	Shaft-Auxiliary Drive
		798549 Crankshaft Used on Type No(s). 0006, 0049, 0319.	27	691866	Lock-Piston Pin	84	792759	Plug-Breather
		555722 Crankshaft Used on Type No(s). 0311.	28	499423	Pin-Piston	85	594760	Screw (Gear Cover to Gear Reduction) (Used After Code Date 14083100) ----- Note -----
17	798538	Bearing-Ball	29B	798813	Rod-Connecting			690711 Screw (Gear Cover to Gear Reduction) (Used Before Code Date 14090100)
			32B	797437	Screw (Connecting Rod)	85A	807421	Screw (Gear Cover to Gear Reduction)
			33	499642	Valve-Exhaust	86	790332	Cover-Gear (2:1 Gear Reduction)
			34	795443	Valve-Intake	86A	792748	Cover-Gear (6:1 Gear Reduction)
						87A	792752	Seal-Gear Reduction

13L300

REF. NO.	PART NO.	DESCRIPTION	REF. NO.	PART NO.	DESCRIPTION	REF. NO.	PART NO.	DESCRIPTION
88	790333	Gasket-Gear Reduction Cover	137	798932	Gasket-Float Bowl (Used After Code Date 15052400)	209	595317	Spring-Governor (Red)
88A	792760	Gasket-Gear Reduction Cover			----- Note -----			----- Note -----
104	797622	Pin-Float Hinge (Used After Code Date 15052400)			----- Note -----			595323 Spring-Governor (Silver)
		----- Note -----			798522 Gasket-Float Bowl (Used Before Code Date 15052500)			(Used After Code Date 15052400)
		698536 Pin-Float Hinge (Used Before Code Date 15052500)	155	797422	Plate-Cylinder Head (Metric)			Used on Type No(s). 0002, 0113, 0127.
105	595324	Valve-Float Needle (Used After Code Date 15052400)	163	798508	Gasket-Air Cleaner (Air Cleaner To Carburetor)			595343 Spring-Governor (Blue)
		----- Note -----	176	798509	Seal-O-Ring			(Used After Code Date 15052400)
		698537 Valve-Float Needle (Used Before Code Date 15052500)	182	595316	Bracket-Fuel Tank			Used on Type No(s). 0111, 0124, 1126.
117	595325	Jet-Main (Standard) (Used After Code Date 15052400)	187B	791766	Line-Fuel (15 Inches Long-Cut To Required Length)			594646 Spring-Governor (Green)
		----- Note -----	187F	798822	Line-Fuel (Formed 2.5 Inches Long)			(Used After Code Date 15052400)
		690861 Jet-Main (Standard) (Used Before Code Date 15052500)	188	699479	Screw (Control Bracket)			Used on Type No(s). 0327.
118	595326	Jet-Main (High Altitude) (Used After Code Date 15052400)	190	798496	Screw (Fuel Tank)			798472 Spring-Governor (Black)
		----- Note -----	192	594382	Adjuster-Rocker Arm (Used After Code Date 14083100)			(Used After Code Date 15052400)
		690741 Jet-Main (High Altitude) (Used Before Code Date 15052500)			----- Note -----			Used on Type No(s). 0121, 0318.
121	798521	Kit-Carburetor Overhaul			797440 Adjuster-Rocker Arm (Metric)			798555 Spring-Governor (Yellow)
122	798510	Spacer-Carburetor			(Used Before Code Date 14090100)			(Used After Code Date 15052400)
125	595318	Carburetor (Used After Code Date 15052400)	199	798634	Valve-Fuel Shut Off			Used on Type No(s). 1128.
125A	798523	Carburetor (Used Before Code Date 15052500)						591654 Spring-Governor (Green)
127	844590	Plug-Welch (Used Before Code Date 15052500)						(Used Before Code Date 15052500)
133	798529	Float-Carburetor (Used Before Code Date 15052500)						Used on Type No(s). 0127.

REF. NO.	PART NO.	DESCRIPTION	REF. NO.	PART NO.	DESCRIPTION	REF. NO.	PART NO.	DESCRIPTION
	798472	Spring-Governor (Black) (Used Before Code Date 15052500) Used on Type No(s). 0001, 0003, 0004, 0006, 0007, 0036, 0049, 0110, 0112, 0114, 0115, 0116, 0117, 0119, 0120, 0121, 0122, 0125, 0128, 0129, 0133, 0311, 0312, 0316, 0318, 0319, 0325, 0326, 1036, 1125, 1130, 1139, 1140, 1159, 1181.	211	595344	Spring-Governed Idle (Blue) (Used After Code Date 15052400) ----- Note ----- 798471 Spring-Governed Idle (White) (Used After Code Date 15052400) Used on Type No(s). 0121, 0127, 0318, 0327, 1128.	246	799008	Bowl-Fuel Filter (Used Before Code Date 15052500)
	798555	Spring-Governor (Yellow) (Used Before Code Date 15052500) Used on Type No(s). 0005, 0111, 0123, 0124, 0327, 1126, 1127, 1128, 1172.		591674	Spring-Governed Idle (Red) (Used Before Code Date 15052500) Used on Type No(s). 0127.	254	595322	Drain-Carburetor Bowl (Used After Code Date 15052400) ----- Note ----- 808178 Drain-Carburetor Bowl (Used Before Code Date 15052500)
	798806	Spring-Governor (Red) (Used Before Code Date 15052500) Used on Type No(s). 0002, 0113.		798471	Spring-Governed Idle (White) (Used Before Code Date 15052500) Used on Type No(s). 0001, 0003, 0004, 0005, 0006, 0007, 0036, 0049, 0050, 0110, 0111, 0112, 0114, 0115, 0116, 0117, 0119, 0120, 0122, 0123, 0124, 0125, 0128, 0129, 0133, 0311, 0312, 0316, 0319, 0325, 0326, 1036, 1125, 1126, 1127, 1130, 1139, 1140, 1159, 1172, 1181.	265	691024	Clamp-Casing
209A	798959	Spring-Governor (Orange) (Used After Code Date 15052400) Used on Type No(s). 0005, 1127.		798556	Spring-Governed Idle (Black) (Used Before Code Date 15052500) Used on Type No(s). 0327.	265A	798997	Clamp-Casing
			219	693578	Gear-Governor	265B	798998	Clamp-Casing
			220	691724	Washer (Governor Gear)	267	699492	Screw (Casing Clamp)
			222	798478	Bracket-Control	267A	699206	Screw (Casing Clamp)
			227	798465	Lever-Governor Control	268	691025	Casing-Control Wire (Cut To Required Length)
			238	691300	Valve-Cap	269	691026	Wire-Control (Cut To Required Length)
			240	394358S	Filter-Fuel (White-75 Microns)	270	691027	Nut (Control Wire-Casing)
						271	691028	Lever-Control
						276	797632	Washer-Sealing (Used After Code Date 15052400) ----- Note ----- 690997 Washer-Sealing (Used Before Code Date 15052500)
						276A	798505	Washer-Sealing (Air Cleaner)
						278	798196	Washer (Governor Control Lever)
						281	798484	Panel-Control
						286	798470	Module-Oil Sensor
						300	594013	Muffler ----- Note ----- 797433 Muffler Used on Type No(s). 0002.
						300A	799542	Muffler Used on Type No(s). 0001, 0003, 0006, 0007, 0050, 0121, 0125, 0128, 0316, 0318, 0319.
						304	798499	Housing-Blower
						305	699481	Screw (Blower Housing)

13L300

REF. NO.	PART NO.	DESCRIPTION	REF. NO.	PART NO.	DESCRIPTION	REF. NO.	PART NO.	DESCRIPTION
306	594762	Shield-Cylinder (Used After Code Date 14083100) ----- Note ----- 798811 Shield-Cylinder (Used Before Code Date 14090100)	377	690979	Key-Woodruff ----- Note ----- 790943 Key-Woodruff (Gear Reduction Sprocket) Used on Type No(s). 0050, 0125.	493B	699048	Bracket-Regulator (No Electric Starter)
307	794822	Screw (Cylinder Shield)	412	793443	Wing Nut (Air Cleaner)	500	691086	Washer (Key Switch)
309	798790	Motor-Starter	415	798466	Plug (Wire Retainer)	501	845907	Regulator (16 Amp.)
310	690323	Screw (Starter Motor)	415A	693463	Plug (Crankcase Cover)	501A	594746	Regulator (20 Amp.) (Used After Code Date 15011800) ----- Note -----
311	497608	Brush Set	415B	792749	Plug (Gear Cover)	790325	Regulator (20 Amp.) (Used Before Code Date 15011900)	
315	799035	Seal-O-Ring (Used Before Code Date 15052500)	419	798851	Spring-Return	503	691532	Strap-Starter
318	691693	Screw (Mounting Bracket)	427	798458	Nut (Control Bracket)	505	793515	Nut (Governor Control Lever)
318A	795026	Screw (Mounting Bracket)	436	799543	Manifold-Exhaust	510	499308	Drive-Starter
332	591988	Nut (Flywheel)	437	594519	Screw (Exhaust Manifold)	513	692024	Drive-Clutch
333	590818	Armature-Magneto	445	797033	Filter-Air Cleaner Cartridge	522	798503	Plug-Dipstick/Fill
334	699477	Screw (Magneto Armature)	455	591302	Cup-Flywheel	526	690297	Screw (16 Amp. Regulator)
337	491055S	Plug-Spark (Resistor) ----- Note ----- 691043 Plug-Spark (EMS) Used on Type No(s). 0002, 0003, 0006, 0007, 0050, 0117, 0123, 0125, 0128, 0129, 0311, 0312, 0316, 0318, 0319, 0325, 1125, 1159, 1172, 1181.	464	595320	Seal-O Ring (Used After Code Date 15052400) ----- Note ----- 698550 Seal-O Ring (Used Before Code Date 15052500)	526A	690326	Screw (20 Amp. Regulator)
346	699203	Screw (Spark Arrestor)	467	691985	Knob-Air Cleaner Cover	552	798500	Bushing-Governor Crank
356C	695630	Wire-Stop	474	695730	Alternator (3 Amp. DC) Used on Type No(s). 0005, 1181.	553	594515	Cup-Valve Spring
356P	798498	Wire-Stop	474D	695466	Alternator (10-16 Amp. Regulated) Used on Type No(s). 0002, 0128, 0318, 0327.	562	798197	Bolt (Governor Control Lever)
356Q	799336	Wire-Stop	474E	790320	Alternator (20 Amp. DC Regulated) Used on Type No(s). 0004, 0007, 0110, 0113, 0115, 0326.	577	690795	Cable-Starter
357	692191	Pulley-Key	474F	793640	Alternator (DC Only) Used on Type No(s). 0006, 0111, 1128.	578	798802	Wires-Key Switch
358	798540	Gasket Set-Engine	493	691177	Bracket-Regulator (Electric Starter)	579	691029	Nut
360	690941	Nut-Fuel Tank	493A	798803	Bracket-Key Switch	598	799331	Shim-End Play
363	19203	Puller-Flywheel				601	791850	Clamp-Hose (Green)
364	695693	Terminal-Oil Plug				608	594738	Starter-Rewind ----- Note ----- 798825 Starter- Rewind Used on Type No(s). 0111.
365	699484	Screw (Carburetor)				613	798517	Screw (Muffler) ----- Note -----
383	19576S	Wrench-Spark Plug				697812	Screw (Muffler) Used on Type No(s). 0002.	
383A	590721	Wrench-Spark Plug				615	692576	Retainer-Governor Shaft
						616	798501	Crank-Governor
						619	699230	Screw (Cylinder Head Plate)

REF. NO.	PART NO.	DESCRIPTION	REF. NO.	PART NO.	DESCRIPTION	REF. NO.	PART NO.	DESCRIPTION
621	692310	Switch-Stop	830	594230	Stud-Rocker Arm (Used After Code Date 14083100)	958	595319	Switch-Stop (Fuel Shut Off Valve) (Used After Code Date 15052400)
623	798511	Seal-O Ring (Air Cleaner To Carburetor Elbow)			----- Note -----			----- Note -----
632	798464	Spring/Link- Mechanical Governor			797441 Stud- Rocker Arm (Metric) (Used Before Code Date 14090100)			799073 Switch-Stop (Fuel Shut Off Valve) (Used Before Code Date 15052500)
633	690722	Seal-Throttle Shaft (Used Before Code Date 15052500)	832	798525	Guard-Muffler	967	798513	Filter-Pre Cleaner
635	798619	Boot-Spark Plug	832A	799574	Guard-Muffler Used on Type No(s). 0001, 0007, 0050, 0125, 0128, 0311, 0316, 0319.	968	798506	Cover-Air Cleaner
654	794838	Nut (Carburetor Stud)				972	798494	Tank-Fuel
663	699206	Screw (Control Panel)				972A	799325	Tank-Fuel
664	691087	Nut (Key Switch)	832B	799578	Guard-Muffler Used on Type No(s). 0003, 0006.	975	595327	Bowl-Float
675	691261	Washer (Brush Retainer)				990	691959	Key Set
676	798467	Deflector-Muffler	836	699755	Screw (Muffler Guard)	993	694088	Gasket-Cylinder Head Plate
676A	396548	Deflector-Muffler	843	695588	Sleeve-Lever	994	793985	Arrestor-Spark
676B	697816	Deflector-Muffler	868	795440	Seal-Valve	994A	790153	Arrestor-Spark
677	699203	Screw (Muffler Deflector)	875	798514	Base-Air Cleaner	1005	794273	Fan-Flywheel
677A	690661	Screw (Muffler Deflector)	883	798516	Gasket-Exhaust	1022	691890	Gasket-Rocker Cover
677B	699776	Screw (Muffler Deflector)			----- Note ----- 692237 Gasket- Exhaust Used on Type No(s). 0002.	1023	791585	Cover-Rocker
682	798792	Cover-Starter Drive	883A	799545	Gasket-Exhaust	1026	790287	Rod-Push
697	795026	Screw (Starter Motor)	892	690646	Switch, Ignition, Key	1029	797443	Arm-Rocker (Metric)
717	798527	Bracket-Air Cleaner	914	699481	Screw (Rocker Cover)	1034	594229	Guide-Push Rod (Used After Code Date 14083100)
718	592860	Pin-Locating			(Bottom)			----- Note ----- 691343 Guide- Push Rod (Used Before Code Date 14090100)
736	799544	Nut Clip	914A	594517	Screw (Rocker Cover)	1036		Label-Emissions (Available from a Briggs and Stratton Authorized Dealer)
741	695087	Gear-Timing			(Top And Center) (Used After Code Date 14083100)	1051	691265	Ring-Retaining
742	692564	Retainer-E Ring			----- Note ----- 797444 Screw (Rocker Cover) (Top And Center) (Used Before Code Date 14090100)	1052	790141	Sensor-Oil
746	790278	Gear-Idler				1054	280275	Tie-Cable
783	692353	Gear-Pinion				1090	691293	Retainer-Brush
787	798635	Lever-Arm (Fuel Shut Off Valve) (Used Before Code Date 15052500)				1095	798539	Gasket Set-Valve
792	798550	Bracket-Fixed Control				1119	699772	Screw (Alternator)
797	691029	Nut (Brush Retainer)	915	691493	Liner-Port	1176	794843	Nut (Exhaust Manifold)
799	699202	Screw (Oil Sensor)	920	557067	Solenoid-Starter	1297	798637	Screw (Fuel Shut Off Valve) (Used Before Code Date 15052500)
801	694482	Cap-Drive			----- Note ----- 691656 Solenoid- Starter Used on Type No(s). 0002.	1305	699691	Screw (Oil Sensor Module)
802	691286	Cap-End	951	798528	Lever-Choke	1319	794467	Label-Warning
813	690635	Clamp-Regulator	955	595329	Plug-Carburetor	1319A	797669	Label-Warning
819	699233	Screw (Muffler Bracket)	957	794641	Cap-Fuel Tank	1345	792917	Filter-Filler Neck
819A	699481	Screw (Muffler Bracket)	957A	799324	Cap-Fuel Tank			

13L300

REF. NO.	PART NO.	DESCRIPTION	REF. NO.	PART NO.	DESCRIPTION	REF. NO.	PART NO.	DESCRIPTION
1347	699200	Screw (Starter Drive Cover)	1364	790335	Chain-Gear Reduction	1367	690936	Screw (Gear Reduction Sprocket)
1363	790334	Sprocket-Gear Reduction	1365	790336	Shaft-Output Gear Reduction	1368	690301	Washer (Gear Reduction Sprocket)

Not for
Reproduction

Not for
Reproduction

Not for
Reproduction

Not for
Reproduction

Not for
Reproduction

