



# Illustrated Parts List

## Model Series

# 126T00

TYPE NUMBERS  
0004 through 4995.

### TABLE OF CONTENTS

Air Cleaner .....	4
Blower Housing .....	7
Blower Housing/Shrouds .....	6
Camshaft .....	2
Carburetor .....	3
Controls .....	5
Crankshaft .....	2
Cylinder .....	2
Electric Starter .....	7
Electrical .....	5
Engine Sump .....	2
Exhaust System .....	4
Flywheel .....	7
Flywheel Brake .....	5
Fuel Supply .....	3
Governor Spring .....	5
Ignition .....	5
Kits/Gaskets .....	2 & 3
Lubrication .....	2
Piston Group .....	2
Rewind Starter .....	7
Valves .....	2



PRINTED IN U.S.A.

COPYRIGHT by BRIGGS & STRATTON CORPORATION  
All rights reserved. No part of this material may be reproduced or transmitted,  
in any form or by any means, electronic or mechanical, including photocopying,  
recording or by any information storage and retrieval system, without permission  
in writing from Briggs & Stratton Corporation.

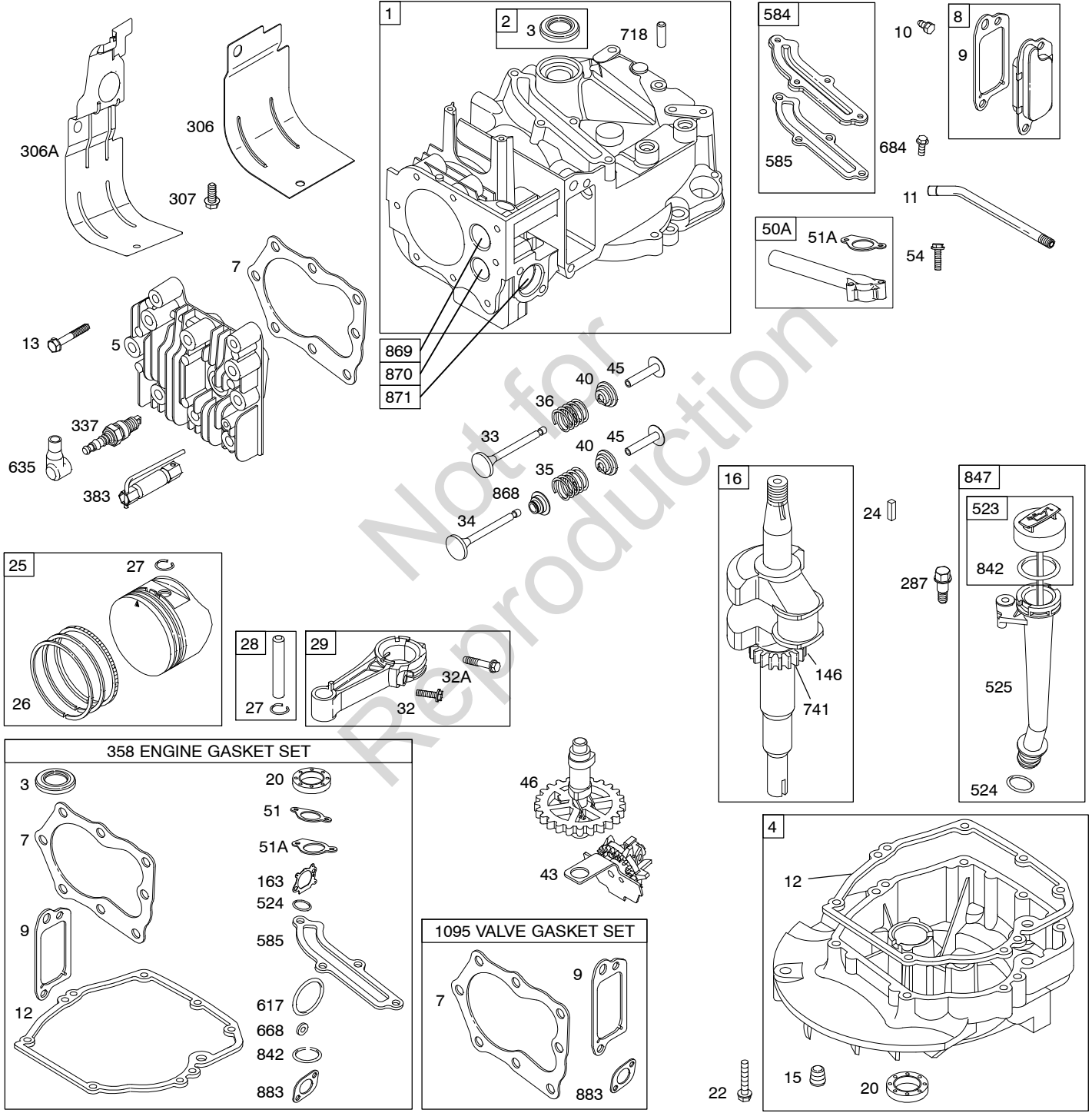
1319 WARNING LABEL

**REQUIRED** when replacing parts with warning labels affixed.

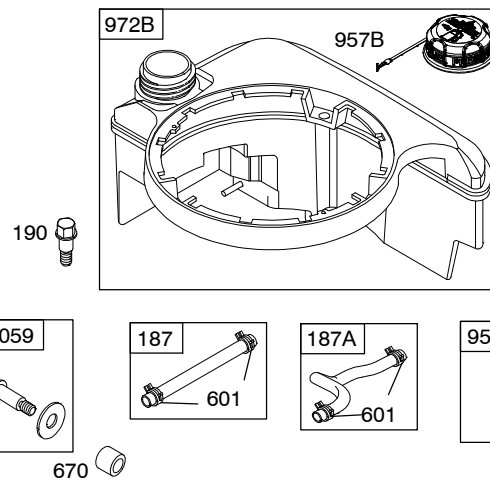
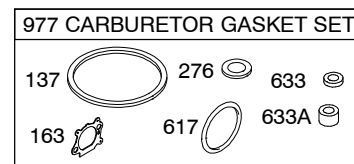
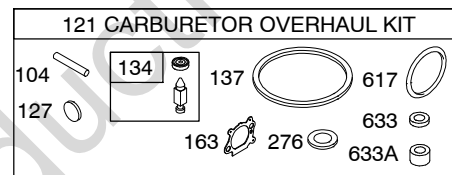
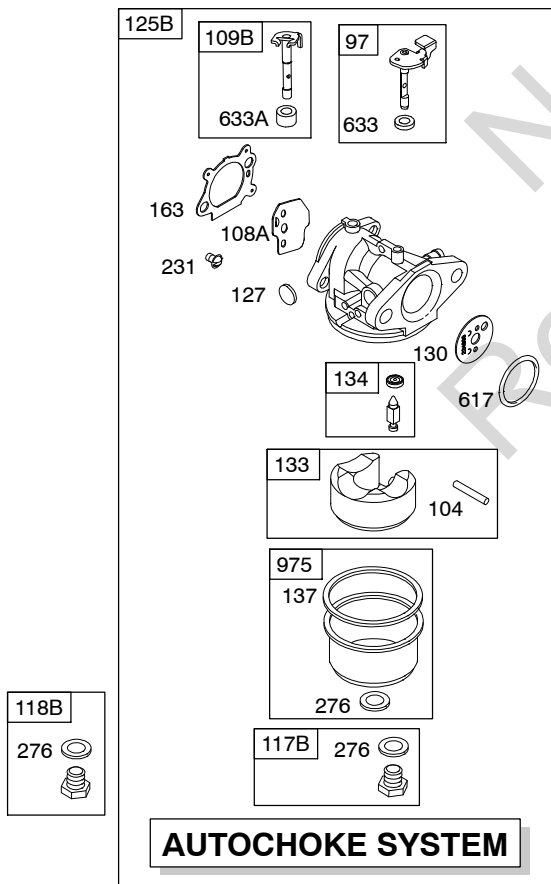
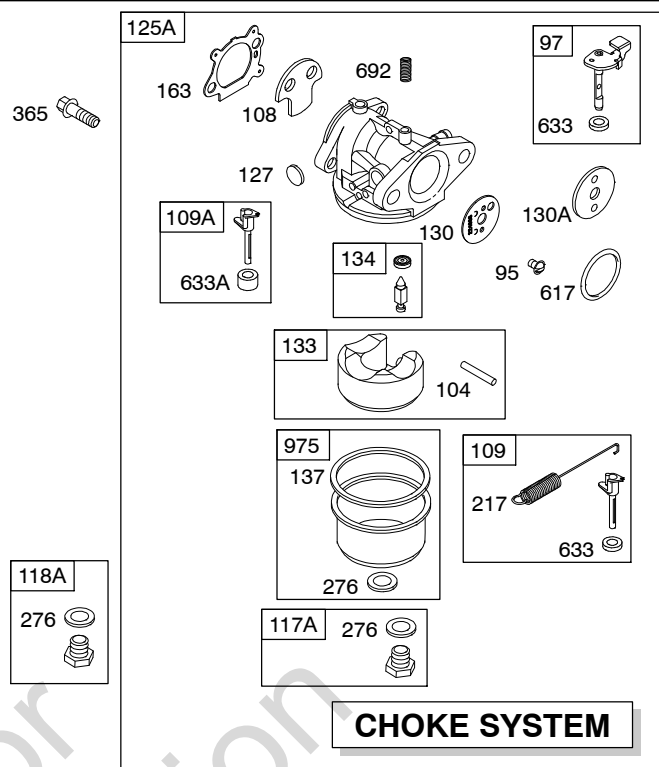
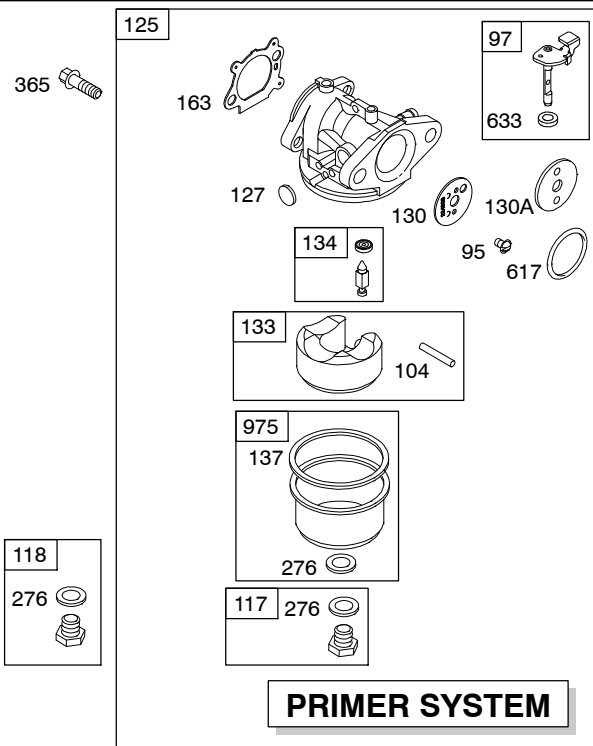
1058 OPERATOR'S MANUAL

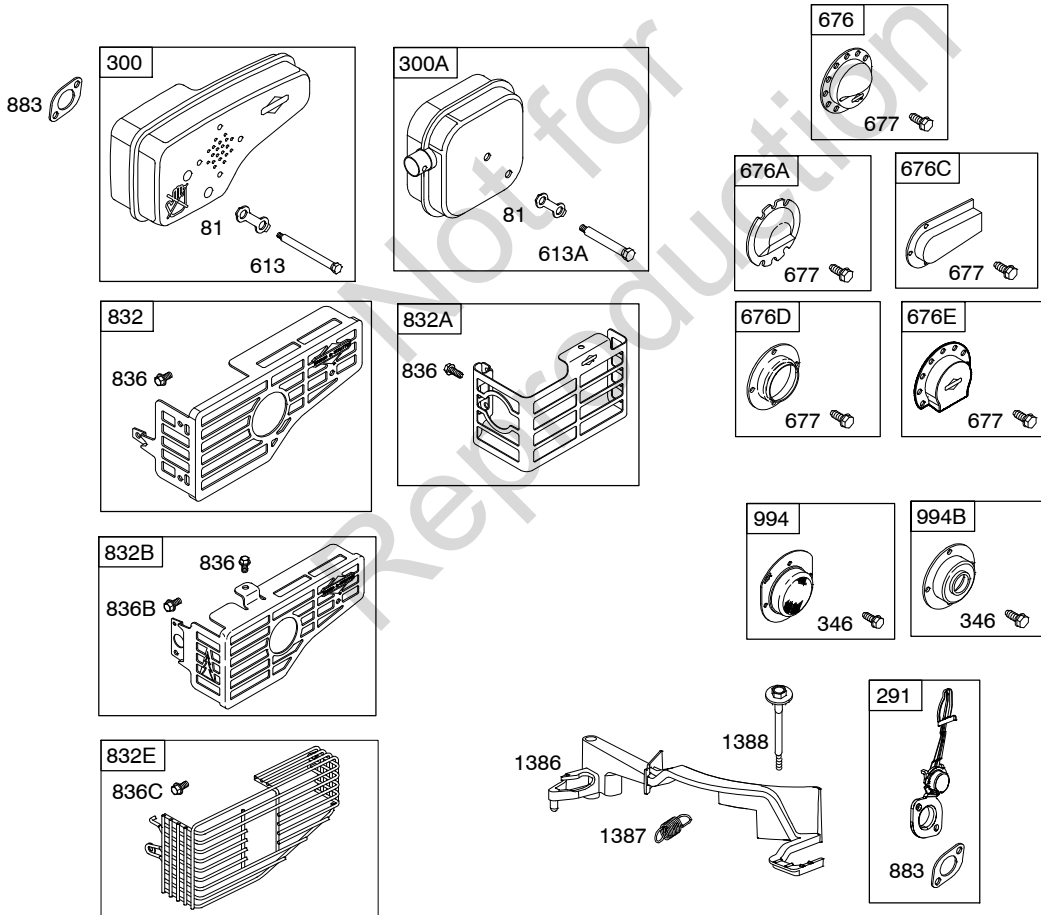
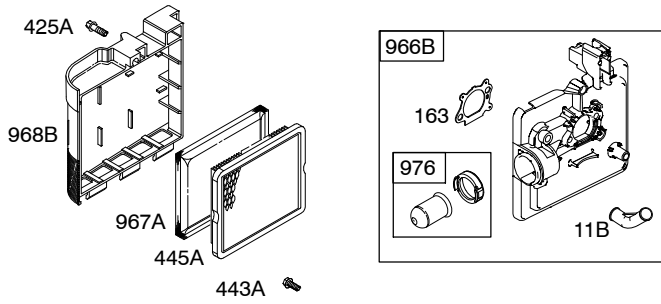
1330 REPAIR MANUAL

1019 LABEL KIT

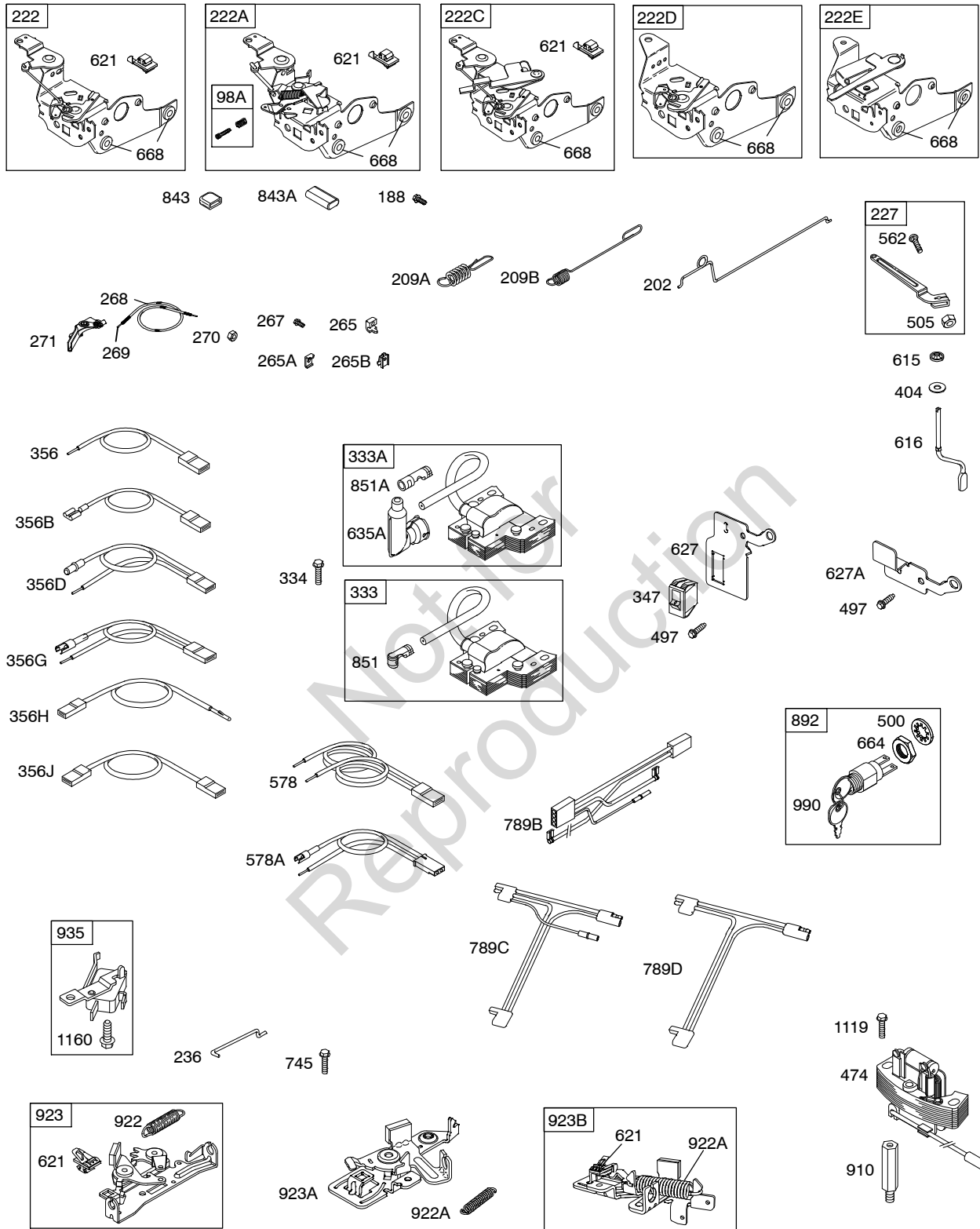


Illustrations cover a range of engines. Parts shown without corresponding text may not be used on your specific engine.  
 3728-2 Assemblies include all parts shown in frames. 03/29/2010



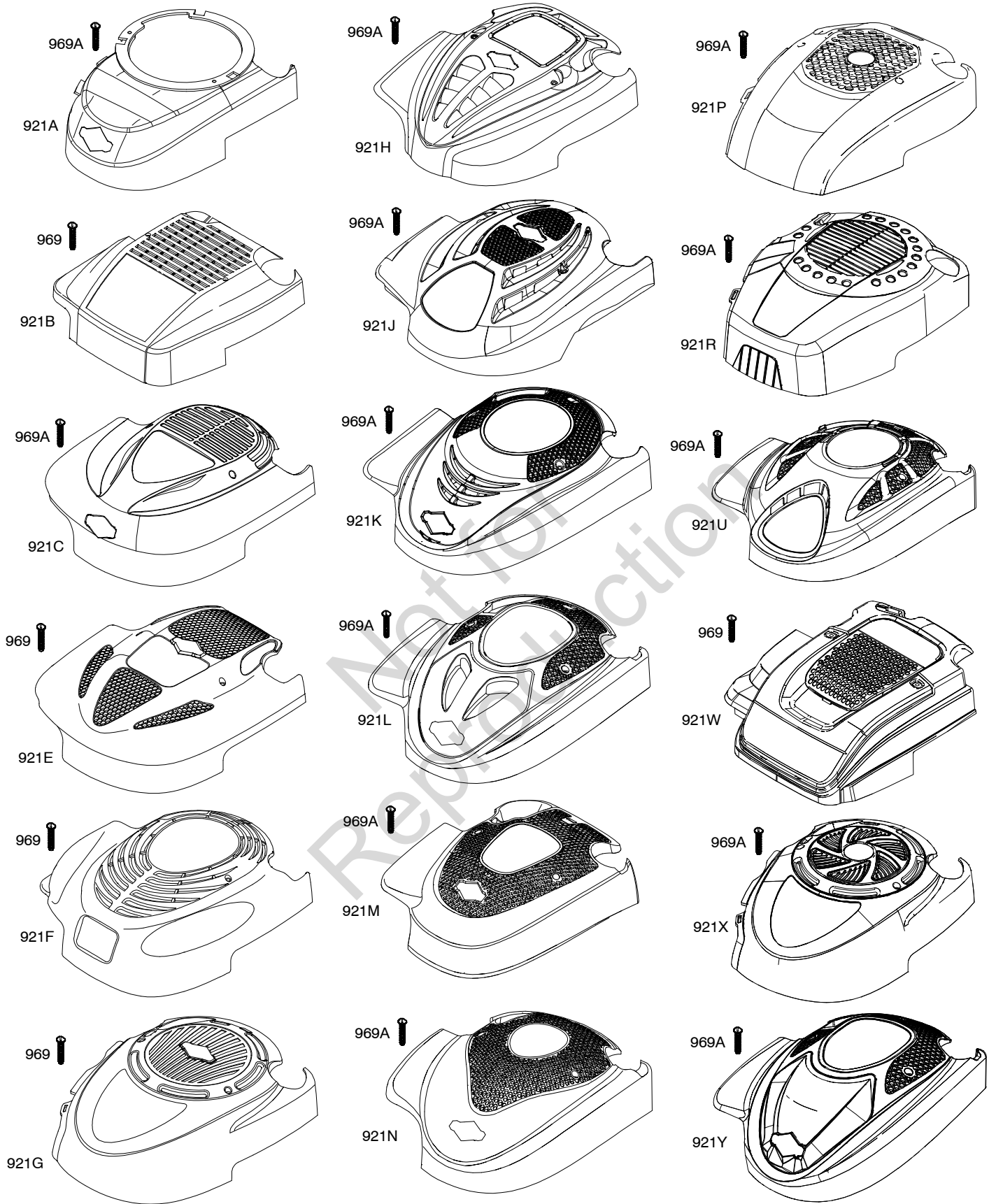


**Illustrations cover a range of engines. Parts shown without corresponding text may not be used on your specific engine.**  
**3728-4** Assemblies include all parts shown in frames. **03/29/2010**

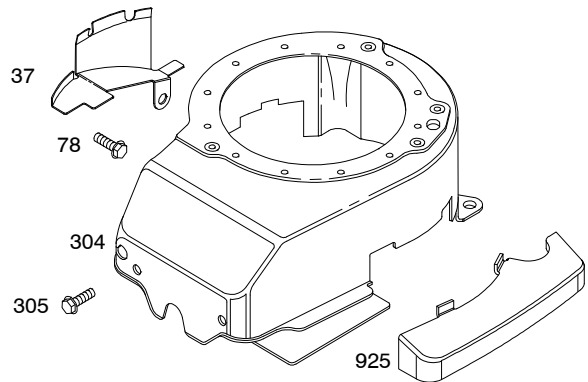
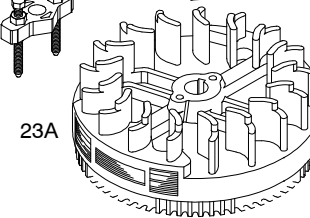
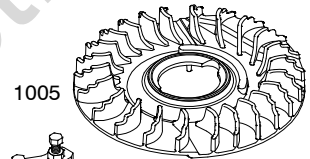
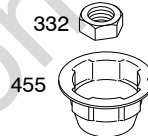
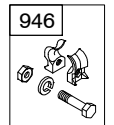
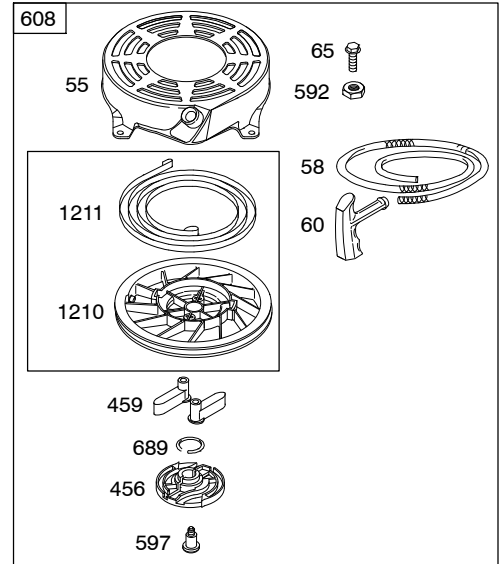
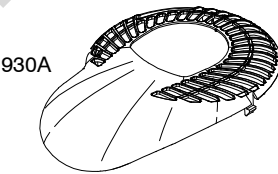
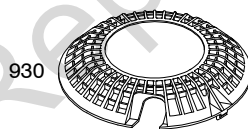
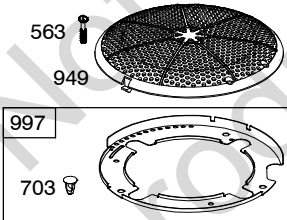
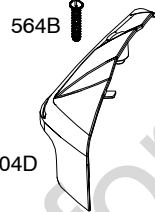
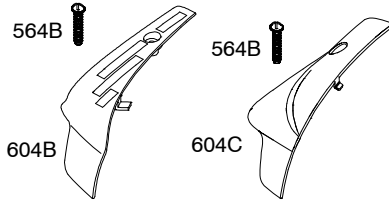
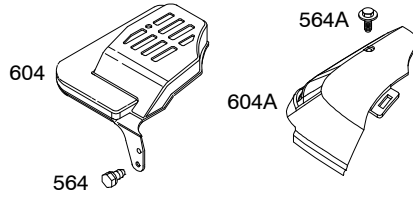
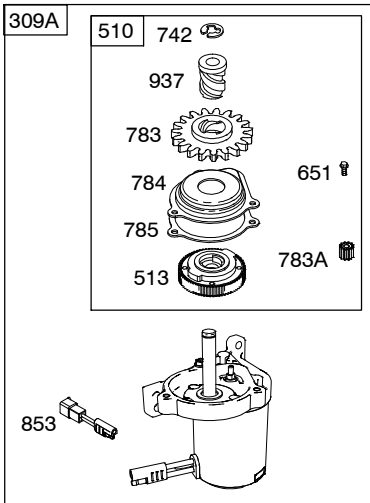
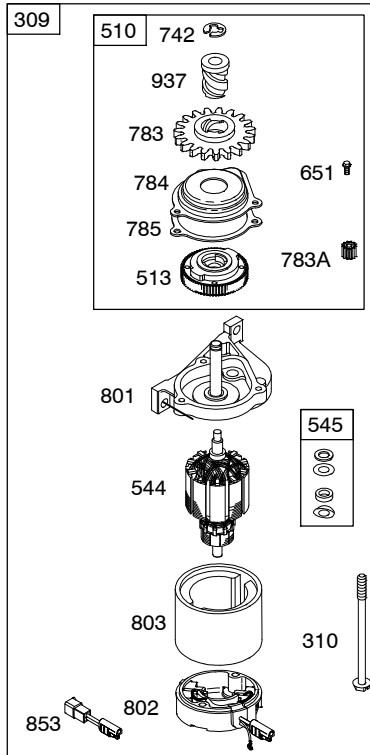


Illustrations cover a range of engines. Parts shown without corresponding text may not be used on your specific engine.  
 3728-5 Assemblies include all parts shown in frames. 03/29/2010

# 126T00



**Illustrations cover a range of engines. Parts shown without corresponding text may not be used on your specific engine.**  
3728-6 Assemblies include all parts shown in frames. 03/29/2010



# 126T00

REF. NO.	PART NO.	DESCRIPTION	REF. NO.	PART NO.	DESCRIPTION	REF. NO.	PART NO.	DESCRIPTION
1	697322	Cylinder Assembly	16	691450	Crankshaft			691455 Crankshaft
2	399269	Kit-Bushing/Seal (Magneto Side)			----- <b>Note</b> -----			Used on Type No(s). 0006,0018,0334,0523.
3	*299819S	Seal-Oil (Magneto Side)			691451 Crankshaft			694849 Crankshaft
4	493279	Sump-Engine			Used on Type No(s). 0004,0010,0011,0015, 0050,0060,0121,0135, 0138,0148,0153,0158, 0159,0169,0172,0173, 0192,0194,0197,0199, 0203,0213,0217,0235, 0243,0253,0254,0258, 0275,0276,0278,0279, 0281,0284,0286,0294, 0307,0329,0339,0341, 0454,0475,0479,0487, 0491,0555,0615,0660, 0826,1064,1172,1724, 1728,1729,1750,1767, 1791,1802,1807,1817, 1820,1822,1824,1833, 1963,2003,2004,2011, 2016,2021,2022,2034, 2041,2091,2388,4011, 4021,4121,4175,4199, 4244,4329,4568,4824.			Used on Type No(s). 0005,0131,0179,0188, 0191,0260,2013.
		----- <b>Note</b> -----						695242 Crankshaft
		498983 Sump-Engine						Used on Type No(s). 0026.
5	691160	Head-Cylinder						696009 Crankshaft
7	*Ø692249	Gasket-Cylinder Head						Used on Type No(s). 0031,0115,0123,0124, 0125,0139,0181,0182, 0183,0184,0193,0204, 0206,0207,0216,0219, 0220,0224,0231,0233, 0236,0240,0241,0271, 0299,0336,0933,1426, 1840,1841,3205,3206, 3212,4181,4183,4216, 4219,4231,4233,4236, 4241.
8	695250	Breather Assembly						791061 Crankshaft
9	*Ø696125	Gasket-Breather						Used on Type No(s). 0030,0116,0209,0225, 0227,0230,0234,0237.
10	691125	Screw (Breather Assembly)						694478 Crankshaft
11	691781	Tube-Breather						Used on Type No(s). 0521,0538.
11B	691923	Tube-Breather						691454 Crankshaft
12	*692232	Gasket-Crankcase						Used on Type No(s). 0283,0539,1706,4706.
13	690912	Screw (Cylinder Head)						694079 Crankshaft
15	691680	Plug-Oil Drain (Square Socket)						Used on Type No(s). 1701.
								795499 Crankshaft
								Used on Type No(s). 0190,0222,0256,0261, 0330,0331,0332,0374, 0379,0403.
								797372 Crankshaft
								Used on Type No(s). 0144,0128,0129,0130, 0295,0301,0304,0305.
								694850 Crankshaft
								Used on Type No(s). 0289,0298.
								696290 Crankshaft
								Used on Type No(s). 0297,0335.
								797018 Crankshaft
								Used on Type No(s). 0309,0349.

★ Included in Engine Gasket Set-Ref. No.358.

● Included in Carburetor Overhaul Kit-Ref. No. 121.

◆ Included in Carburetor Gasket Set-Ref. No. 977.

Ø Included in Valve Gasket Set-Ref. No 1095.

**Illustrations cover a range of engines. Parts shown without corresponding text may not be used on your specific engine.**



REF. NO.	PART NO.	DESCRIPTION	REF. NO.	PART NO.	DESCRIPTION	REF. NO.	PART NO.	DESCRIPTION
20	★399781S	Seal-Oil (PTO Side)	25	797302	Piston Assembly (Standard) (Used After Code Date 09041600).	26	797304	Ring Set (Standard) (Used After Code Date 09041600).
22	691092	Screw (Crankcase Cover/ Sump)			----- <b>Note</b> -----			----- <b>Note</b> -----
23A	691987	Flywheel ----- <b>Note</b> ----- <b>691992</b> Flywheel Used on Type No(s). 0004, 0005, 0006, 0007, 0010, 0030, 0050, 0114, 0116, 0122, 0128, 0129, 0130, 0131, 0164, 0169, 0179, 0188, 0190, 0191, 0192, 0198, 0203, 0209, 0213, 0222, 0225, 0227, 0230, 0234, 0237, 0256, 0261, 0281, 0282, 0289, 0290, 0295, 0298, 0301, 0304, 0305, 0309, 0330, 0331, 0332, 0334, 0335, 0374, 0379, 0403, 0523, 0826, 0933, 1064, 1137, 1802, 1807, 1822, 1849, 2013, 2016, 4164, 4242, 4824, 4849.			<b>795429</b> Piston Assembly (Standard) (Used After Code Date 07090300 and Before Code Date 09041700). <b>791097</b> Piston Assembly (Standard) (Used Before Code Date 07090400). <b>797303</b> Piston Assembly (.020" Oversize) (Used After Code Date 09041600). <b>795430</b> Piston Assembly (.020" Oversize) (Used After Code Date 07090300 and Before Code Date 09041700). <b>791326</b> Piston Assembly (.020" Oversize) (Used Before Code Date 07090400).			<b>795431</b> Ring Set (Standard) (Used After Code Date 07090300 and Before Code Date 09041700). <b>791098</b> Ring Set (Standard) (Used Before Code Date 07090400). <b>797305</b> Ring Set (.020" Oversize) (Used After Code Date 09041600). <b>795432</b> Ring Set (.020" Oversize) (Used After Code Date 07090300 and Before Code Date 09041700). <b>791324</b> Ring Set (.020" Oversize) (Used Before Code Date 07090400).
24	222698S	Key-Flywheel				27	691588	Lock-Piston Pin (Used After Code Date 09041600). ----- <b>Note</b> ----- <b>691866</b> Lock-Piston Pin (Used Before Code Date 09041700).

★ Included in Engine Gasket Set-Ref. No.358.  
● Included in Carburetor Overhaul Kit-Ref. No. 121.

◆ Included in Carburetor Gasket Set-Ref. No. 977.  
∅ Included in Valve Gasket Set-Ref. No 1095.

**Illustrations cover a range of engines. Parts shown without corresponding text may not be used on your specific engine.**

# 126T00

REF. NO.	PART NO.	DESCRIPTION	REF. NO.	PART NO.	DESCRIPTION	REF. NO.	PART NO.	DESCRIPTION
28	298909	Pin-Piston (Used After Code Date 09041600). ----- <b>Note</b> ----- 499423 Pin-Piston (Used Before Code Date 09041700).	58	697316	Rope-Starter (Cut To Required Length) ----- <b>Note</b> ----- 791362 Rope-Starter Used on Type No(s). 0132, 0133, 0143, 0144, 0165, 0166, 0175, 0181, 0201, 0208, 0234, 0263, 0264, 0266, 0268, 0479, 0487, 0491, 4132.	117	498978	Jet-Main (Standard) ----- <b>Note</b> ----- 692677 Jet-Main (Standard) (Used After Code Date 07020600). Used on Type No(s). 0154, 0680, 0761, 1749, 1837, 1850, 1917, 2035, 3761. 494870 Jet-Main (Standard) (Used Before Code Date 07020700). Used on Type No(s). 0761, 3761.
29	797306	Rod-Connecting (Used After Code Date 09041600). ----- <b>Note</b> ----- 499424 Rod-Connecting (Used Before Code Date 09041700).	60	281434S	Grip-Starter Rope	117A	498981	Jet-Main (Standard) ----- <b>Note</b> ----- 697355 Jet-Main (Standard) Used on Type No(s). 0007, 0122, 0192, 0213.
32	691664	Screw (Connecting Rod)	65	690837	Screw (Rewind Starter)	117B	498977	Jet-Main (Standard) (Used After Code Date 08061900). ----- <b>Note</b> ----- 691428 Jet-Main (Standard) (Used After Code Date 07020600 and Before Code Date 08062000). 697355 Jet-Main (Standard) (Used Before Code Date 07020700).
32A	695759	Screw (Connecting Rod)	78	691108	Screw (Flywheel Guard)			
33	262651S	Valve-Exhaust	81	691740	Lock-Muffler Screw			
34	262652S	Valve-Intake	95	691636	Screw (Throttle Valve)			
35	691270	Spring-Valve (Intake)	97	493267	Shaft-Throttle (Metal) ----- <b>Note</b> ----- 696565 Shaft-Throttle (Plastic) 795881 Shaft-Throttle Used on Type No(s). 0007, 0192, 0122, 0213.			
36	691270	Spring-Valve (Exhaust)	98A	493280	Kit-Idle Speed			
37	694086	Guard-Flywheel	104	691242	Pin-Float Hinge			
40	692194	Retainer-Valve	108	691182	Valve-Choke			
43	691997	Slinger-Governor/Oil	108A	795935	Valve-Choke (Used After Code Date 08031200). ----- <b>Note</b> ----- 790844 Valve-Choke (Used Before Code Date 08031300).			
45	690548	Tappet-Valve						
46	691449	Camshaft						
50A	794305	Manifold-Intake						
51	★272199S	Gasket-Intake						
51A	★794306	Gasket-Intake						
54	691650	Screw (Intake Manifold)						
55	691421	Housing-Rewind Starter						
			109	494218	Shaft-Choke			
			109A	498593	Shaft-Choke			
			109B	795936	Shaft-Choke (Used After Code Date 08031200). ----- <b>Note</b> ----- 790843 Shaft-Choke (Used Before Code Date 08031300).			

★ Included in Engine Gasket Set-Ref. No.358.

● Included in Carburetor Overhaul Kit-Ref. No. 121.

◆ Included in Carburetor Gasket Set-Ref. No. 977.

⊘ Included in Valve Gasket Set-Ref. No 1095.

**Illustrations cover a range of engines. Parts shown without corresponding text may not be used on your specific engine.**

REF. NO.	PART NO.	DESCRIPTION	REF. NO.	PART NO.	DESCRIPTION	REF. NO.	PART NO.	DESCRIPTION
118	497466	Jet–Main (High Altitude) ----- <b>Note</b> ----- <b>497315</b> Jet–Main (High Altitude) Used on Type No(s). 0154, 0680, 0761, 1749, 1837, 1850, 1917, 2035, 3761.	125	498170	Carburetor (Primer System) ----- <b>Note</b> ----- <b>694882</b> Carburetor (Primer System) (Used After Code Date 07020600). Used on Type No(s). 0154, 0680, 0761, 1749, 1837, 1850, 1917, 2035, 3761.	127	●694468	Plug–Welch
118A	497315	Jet–Main (High Altitude) ----- <b>Note</b> ----- <b>692677</b> Jet–Main (High Altitude) Used on Type No(s). 0007, 0122, 0192, 0213.			<b>790821</b> Carburetor (Primer System) (Used Before Code Date 07020700). Used on Type No(s). 0761, 3761.	130	●696564	Valve–Throttle
118B	694250	Jet–Main (High Altitude) (Used After Code Date 08061900). ----- <b>Note</b> ----- <b>695042</b> Jet–Main (High Altitude) (Used After Code Date 07020600 and Before Code Date 08062000). <b>692677</b> Jet–Main (High Altitude) (Used Before Code Date 07020700).	125A	792253	Carburetor (Choke System) ----- <b>Note</b> ----- <b>790978</b> Carburetor Used on Type No(s). 1746, 1801, 1802, 1803, 1804, 1805. <b>795882</b> Carburetor Used on Type No(s). 0007, 0122, 0192, 0213.	130A	●691203	Valve–Throttle
121	498260	Kit–Carburetor Overhaul	125B	794304	Carburetor (Autochoke System) (Used After Code Date 07020600). ----- <b>Note</b> ----- <b>790845</b> Carburetor (Autochoke System) (Used Before Code Date 07020700).	133	●398187	Float–Carburetor
						134	●●398188	Kit–Needle/Seat
						137	●◆693981	Gasket–Float Bowl
						146	●690979	Key–Timing
						163	★●◆272653	Gasket–Air Cleaner
						187	791766	Line–Fuel (Cut to Required Length)
						187A	791873	Line–Fuel (Molded)
						188	693399	Screw (Control Bracket)
						190	690940	Screw (Fuel Tank)
						202	691829	Link–Mechanical Governor

★ Included in Engine Gasket Set–Ref. No.358.

● Included in Carburetor Overhaul Kit–Ref. No. 121.

◆ Included in Carburetor Gasket Set–Ref. No. 977.

⊘ Included in Valve Gasket Set–Ref. No 1095.

**Illustrations cover a range of engines. Parts shown without corresponding text may not be used on your specific engine.**

# 126T00

REF. NO.	PART NO.	DESCRIPTION	REF. NO.	PART NO.	DESCRIPTION	REF. NO.	PART NO.	DESCRIPTION		
<b>209A</b>	<b>795883</b>	Spring–Governor Used on Type No(s). 0007,0122,0192,0213.								
<b>209B</b>	<b>699056</b>	Spring–Governor ----- <b>Note</b> ----- <b>691292</b> Spring– Governor Used on Type No(s). 0115,0116,0117,0123, 0124,0125,0127,0135, 0139,0145,0146,0147, 0153,0161,0172,0175, 0176,0181,0190,0193, 0196,0199,0203,0204, 0206,0209,0215,0216, 0219,0220,0222,0224, 0225,0227,0236,0237, 0239,0246,0247,0252, 0253,0254,0255,0256, 0260,0262,0271,0275, 0276,0277,0283,0285, 0287,0288,0289,0290, 0294,0298,0299,0306, 0307,0309,0310,0311, 0329,0330,0331,0338, 0339,0373,0395,0400, 0402,0403,0539,0555, 0568,0795,0933,0951, 0985,0992,1003,1006, 1009,1037,1133,1155, 1163,1164,1172,1229, 1241,1297,1394,1435, 1724,1733,1734,1737, 1738,1750,1767,1791, 1808,1810,1816,1817, 1826,1827,1829,1837, 1839,1845,1849,1850, 1852,1853,1904,1941, 1963,1965,1966,1992, 1995,2003,2004,2008, 2011,2012,2014,2017, 2022,2027,2034,2041, 2148,2149,2304,3206, 4011,4135,4148,4175, 4181,4199,4216,4219, 4236,4329,4568,4810, 4816,4829,4837,4849, 4995.								
					<b>691291</b> Spring– Governor Used on Type No(s). 0006,0010,0011,0050, 0297,0335,0349,0521, 0538,0826,1064,1137. <b>691851</b> Spring– Governor Used on Type No(s). 0121,0132,0133,0134, 0143,0165,0187,0201, 0263,0264,0266,0272, 0334,3139,3140,4121, 4132. <b>691852</b> Spring– Governor Used on Type No(s). 0150,0151,0154,0155, 0158,0159,0163,0164, 0168,0180,0182,0183, 0184,0198,0207,0208, 0217,0218,0221,0230, 0231,0233,0234,0235, 0240,0241,0257,0258, 0261,0268,0274,0278, 0279,0280,0282,0286, 0303,0308,0332,0333, 0336,0341,0351,0680, 1706,1727,1728,1729, 1739,1740,1748,1749, 1794,1807,1814,1818, 1820,1821,1822,1823, 1824,1825,1830,1831, 1832,1833,1835,1840, 1841,1844,1846,1847, 1914,1958,2006,2010, 2015,2016,2021,2023, 2035,4015,4021,4135, 4150,4151,4163,4164, 4168,4171,4183,4184, 4231,4233,4240,4241, 4680,4706,4816,4823, 4825,4830.					<b>691290</b> Spring– Governor Used on Type No(s). 0005,0114,0129,0130, 0131,0169,0179,0188, 0191,0197,0295,0301, 0304,0305,2013. <b>791157</b> Spring– Governor Used on Type No(s). 1746,1801,1803,1804, 1805. <b>691835</b> Spring– Governor Used on Type No(s). 1802. <b>790944</b> Spring– Governor Used on Type No(s). 0523. <b>795879</b> Spring– Governor Used on Type No(s). 0007,0122,0192,0213.

★ Included in Engine Gasket Set–Ref. No.358.

● Included in Carburetor Overhaul Kit–Ref. No. 121.

◆ Included in Carburetor Gasket Set–Ref. No. 977.

⊗ Included in Valve Gasket Set–Ref. No 1095.

**Illustrations cover a range of engines. Parts shown without corresponding text may not be used on your specific engine.**

REF. NO.	PART NO.	DESCRIPTION	REF. NO.	PART NO.	DESCRIPTION	REF. NO.	PART NO.	DESCRIPTION
217	690354	Spring-Choke Return	300	692038	Muffler			1047,1055,1133,1155,
222	790143	Bracket-Control (Remote/Manual Friction)(Primer)			----- <b>Note</b> ----- <b>790828</b> Muffler			1163,1164,1184,1225, 1229,1241,1252,1297, 1298,1343,1346,1347,
222A	692021	Bracket-Control (Remote, Choke A Matic, Non Compliance) ----- <b>Note</b> ----- <b>790982</b> Bracket- Control Used on Type No(s). 1746, 1801, 1803, 1804, 1805.			0030,0031,0114,0121, 0123,0124,0125,0128, 0130,0132,0133,0140, 0143,0144,0150,0151, 0158,0159,0161,0164, 0165,0166,0168,0172, 0173,0175,0177,0180, 0181,0183,0190,0191, 0193,0200,0201,0203, 0208,0215,0216,0217, 0219,0220,0222,0224, 0225,0227,0230,0231, 0233,0234,0235,0236, 0237,0239,0240,0241, 0245,0246,0247,0248, 0251,0253,0254,0255, 0256,0261,0263,0264, 0265,0266,0267,0268, 0271,0275,0276,0279, 0280,0281,0282,0283, 0284,0285,0287,0288, 0289,0294,0295,0298, 0299,0301,0304,0305, 0309,0311,0330,0331, 0332,0333,0336,0338, 0372,0373,0374,0378, 0379,0395,0400,0401, 0402,0403,0454,0475, 0487,0491,0548,0555, 0615,0625,0660,0662, 0675,0677,0678,0709, 0782,0795,0849,0867, 0875,0880,0893,0932, 0933,0985,0992,1003, 1006,1024,1044,1045,			1401,1426,1435,1446, 1706,1738,1807,1808, 1823,1825,1827,1831, 1845,1847,1849,1851, 1963,1965,2011,2015, 2016,2017,2021,2022, 2034,2041,3205,3212, 3216,3217,3709,3849, 4011,4015,4021,4121, 4132,4135,4163,4164, 4171,4175,4181,4183, 4184,4199,4216,4219, 4231,4233,4236,4241, 4242,4248,4329,4568, 4678,4680,4706,4816, 4823,4824,4825,4829, 4830,4837,4849.
222C	692150	Bracket-Control (Variable Speed) (5 Position Manual Choke) ----- <b>Note</b> ----- <b>795880</b> Bracket- Control Used on Type No(s). 0007, 0122, 0192, 0213.			0271,0275,0276,0279, 0280,0281,0282,0283, 0284,0285,0287,0288, 0289,0294,0295,0298, 0299,0301,0304,0305, 0309,0311,0330,0331, 0332,0333,0336,0338, 0372,0373,0374,0378, 0379,0395,0400,0401, 0402,0403,0454,0475, 0487,0491,0548,0555, 0615,0625,0660,0662, 0675,0677,0678,0709, 0782,0795,0849,0867, 0875,0880,0893,0932, 0933,0985,0992,1003, 1006,1024,1044,1045,			792677 Muffler Used on Type No(s). 0329,1003,1844. <b>496106S</b> Muffler Used on Type No(s). 0187,0251.
222D	791128	Bracket-Control (Fixed Speed)			0271,0275,0276,0279, 0280,0281,0282,0283, 0284,0285,0287,0288, 0289,0294,0295,0298, 0299,0301,0304,0305, 0309,0311,0330,0331, 0332,0333,0336,0338, 0372,0373,0374,0378, 0379,0395,0400,0401, 0402,0403,0454,0475, 0487,0491,0548,0555, 0615,0625,0660,0662, 0675,0677,0678,0709, 0782,0795,0849,0867, 0875,0880,0893,0932, 0933,0985,0992,1003, 1006,1024,1044,1045,	300A	494343S	Muffler
222E	692982	Bracket-Control (Manual Friction, 5 Position Manual Choke)			0271,0275,0276,0279, 0280,0281,0282,0283, 0284,0285,0287,0288, 0289,0294,0295,0298, 0299,0301,0304,0305, 0309,0311,0330,0331, 0332,0333,0336,0338, 0372,0373,0374,0378, 0379,0395,0400,0401, 0402,0403,0454,0475, 0487,0491,0548,0555, 0615,0625,0660,0662, 0675,0677,0678,0709, 0782,0795,0849,0867, 0875,0880,0893,0932, 0933,0985,0992,1003, 1006,1024,1044,1045,			
227	690783	Lever-Governor Control			0271,0275,0276,0279, 0280,0281,0282,0283, 0284,0285,0287,0288, 0289,0294,0295,0298, 0299,0301,0304,0305, 0309,0311,0330,0331, 0332,0333,0336,0338, 0372,0373,0374,0378, 0379,0395,0400,0401, 0402,0403,0454,0475, 0487,0491,0548,0555, 0615,0625,0660,0662, 0675,0677,0678,0709, 0782,0795,0849,0867, 0875,0880,0893,0932, 0933,0985,0992,1003, 1006,1024,1044,1045,			
231	691636	Screw (Choke Valve)			0271,0275,0276,0279, 0280,0281,0282,0283, 0284,0285,0287,0288, 0289,0294,0295,0298, 0299,0301,0304,0305, 0309,0311,0330,0331, 0332,0333,0336,0338, 0372,0373,0374,0378, 0379,0395,0400,0401, 0402,0403,0454,0475, 0487,0491,0548,0555, 0615,0625,0660,0662, 0675,0677,0678,0709, 0782,0795,0849,0867, 0875,0880,0893,0932, 0933,0985,0992,1003, 1006,1024,1044,1045,			
236	691826	Link-Lockout			0271,0275,0276,0279, 0280,0281,0282,0283, 0284,0285,0287,0288, 0289,0294,0295,0298, 0299,0301,0304,0305, 0309,0311,0330,0331, 0332,0333,0336,0338, 0372,0373,0374,0378, 0379,0395,0400,0401, 0402,0403,0454,0475, 0487,0491,0548,0555, 0615,0625,0660,0662, 0675,0677,0678,0709, 0782,0795,0849,0867, 0875,0880,0893,0932, 0933,0985,0992,1003, 1006,1024,1044,1045,			
265	690798	Clamp-Casing			0271,0275,0276,0279, 0280,0281,0282,0283, 0284,0285,0287,0288, 0289,0294,0295,0298, 0299,0301,0304,0305, 0309,0311,0330,0331, 0332,0333,0336,0338, 0372,0373,0374,0378, 0379,0395,0400,0401, 0402,0403,0454,0475, 0487,0491,0548,0555, 0615,0625,0660,0662, 0675,0677,0678,0709, 0782,0795,0849,0867, 0875,0880,0893,0932, 0933,0985,0992,1003, 1006,1024,1044,1045,			
265A	691024	Clamp-Casing			0271,0275,0276,0279, 0280,0281,0282,0283, 0284,0285,0287,0288, 0289,0294,0295,0298, 0299,0301,0304,0305, 0309,0311,0330,0331, 0332,0333,0336,0338, 0372,0373,0374,0378, 0379,0395,0400,0401, 0402,0403,0454,0475, 0487,0491,0548,0555, 0615,0625,0660,0662, 0675,0677,0678,0709, 0782,0795,0849,0867, 0875,0880,0893,0932, 0933,0985,0992,1003, 1006,1024,1044,1045,			
265B	692179	Clamp-Casing			0271,0275,0276,0279, 0280,0281,0282,0283, 0284,0285,0287,0288, 0289,0294,0295,0298, 0299,0301,0304,0305, 0309,0311,0330,0331, 0332,0333,0336,0338, 0372,0373,0374,0378, 0379,0395,0400,0401, 0402,0403,0454,0475, 0487,0491,0548,0555, 0615,0625,0660,0662, 0675,0677,0678,0709, 0782,0795,0849,0867, 0875,0880,0893,0932, 0933,0985,0992,1003, 1006,1024,1044,1045,			
267	691044	Screw (Casing Clamp)			0271,0275,0276,0279, 0280,0281,0282,0283, 0284,0285,0287,0288, 0289,0294,0295,0298, 0299,0301,0304,0305, 0309,0311,0330,0331, 0332,0333,0336,0338, 0372,0373,0374,0378, 0379,0395,0400,0401, 0402,0403,0454,0475, 0487,0491,0548,0555, 0615,0625,0660,0662, 0675,0677,0678,0709, 0782,0795,0849,0867, 0875,0880,0893,0932, 0933,0985,0992,1003, 1006,1024,1044,1045,			
268	691025	Casing-Control Wire (Cut to Required Length)			0271,0275,0276,0279, 0280,0281,0282,0283, 0284,0285,0287,0288, 0289,0294,0295,0298, 0299,0301,0304,0305, 0309,0311,0330,0331, 0332,0333,0336,0338, 0372,0373,0374,0378, 0379,0395,0400,0401, 0402,0403,0454,0475, 0487,0491,0548,0555, 0615,0625,0660,0662, 0675,0677,0678,0709, 0782,0795,0849,0867, 0875,0880,0893,0932, 0933,0985,0992,1003, 1006,1024,1044,1045,			
269	691026	Wire-Control (Cut to Required Length)			0271,0275,0276,0279, 0280,0281,0282,0283, 0284,0285,0287,0288, 0289,0294,0295,0298, 0299,0301,0304,0305, 0309,0311,0330,0331, 0332,0333,0336,0338, 0372,0373,0374,0378, 0379,0395,0400,0401, 0402,0403,0454,0475, 0487,0491,0548,0555, 0615,0625,0660,0662, 0675,0677,0678,0709, 0782,0795,0849,0867, 0875,0880,0893,0932, 0933,0985,0992,1003, 1006,1024,1044,1045,			
270	691027	Nut (Control Wire Casing)			0271,0275,0276,0279, 0280,0281,0282,0283, 0284,0285,0287,0288, 0289,0294,0295,0298, 0299,0301,0304,0305, 0309,0311,0330,0331, 0332,0333,0336,0338, 0372,0373,0374,0378, 0379,0395,0400,0401, 0402,0403,0454,0475, 0487,0491,0548,0555, 0615,0625,0660,0662, 0675,0677,0678,0709, 0782,0795,0849,0867, 0875,0880,0893,0932, 0933,0985,0992,1003, 1006,1024,1044,1045,			
271	691028	Lever-Control			0271,0275,0276,0279, 0280,0281,0282,0283, 0284,0285,0287,0288, 0289,0294,0295,0298, 0299,0301,0304,0305, 0309,0311,0330,0331, 0332,0333,0336,0338, 0372,0373,0374,0378, 0379,0395,0400,0401, 0402,0403,0454,0475, 0487,0491,0548,0555, 0615,0625,0660,0662, 0675,0677,0678,0709, 0782,0795,0849,0867, 0875,0880,0893,0932, 0933,0985,0992,1003, 1006,1024,1044,1045,			
276	◆271716	Washer-Sealing			0271,0275,0276,0279, 0280,0281,0282,0283, 0284,0285,0287,0288, 0289,0294,0295,0298, 0299,0301,0304,0305, 0309,0311,0330,0331, 0332,0333,0336,0338, 0372,0373,0374,0378, 0379,0395,0400,0401, 0402,0403,0454,0475, 0487,0491,0548,0555, 0615,0625,0660,0662, 0675,0677,0678,0709, 0782,0795,0849,0867, 0875,0880,0893,0932, 0933,0985,0992,1003, 1006,1024,1044,1045,			
287	690940	Screw (Dipstick Tube)			0271,0275,0276,0279, 0280,0281,0282,0283, 0284,0285,0287,0288, 0289,0294,0295,0298, 0299,0301,0304,0305, 0309,0311,0330,0331, 0332,0333,0336,0338, 0372,0373,0374,0378, 0379,0395,0400,0401, 0402,0403,0454,0475, 0487,0491,0548,0555, 0615,0625,0660,0662, 0675,0677,0678,0709, 0782,0795,0849,0867, 0875,0880,0893,0932, 0933,0985,0992,1003, 1006,1024,1044,1045,			
291	790830	Thermostat			0271,0275,0276,0279, 0280,0281,0282,0283, 0284,0285,0287,0288, 0289,0294,0295,0298, 0299,0301,0304,0305, 0309,0311,0330,0331, 0332,0333,0336,0338, 0372,0373,0374,0378, 0379,0395,0400,0401, 0402,0403,0454,0475, 0487,0491,0548,0555, 0615,0625,0660,0662, 0675,0677,0678,0709, 0782,0795,0849,0867, 0875,0880,0893,0932, 0933,0985,0992,1003, 1006,1024,1044,1045,			

★ Included in Engine Gasket Set-Ref. No.358.

● Included in Carburetor Overhaul Kit-Ref. No. 121.

◆ Included in Carburetor Gasket Set-Ref. No. 977.

⊘ Included in Valve Gasket Set-Ref. No 1095.

**Illustrations cover a range of engines. Parts shown without corresponding text may not be used on your specific engine.**

# 126T00

REF. NO.	PART NO.	DESCRIPTION	REF. NO.	PART NO.	DESCRIPTION	REF. NO.	PART NO.	DESCRIPTION
304	695892	Housing-Blower ----- <b>Note</b> ----- <b>493293</b> Housing-Blower Used on Type No(s). 0015,0016,0018,0025, 0060,0062,0115,0139, 0147,0162,0173,0204, 0206,0244,0479,1701, 1727,1728,1733,1734, 1740,1767,1791,1794, 1801,1803,1804,1805, 1810,1814,1821,1832, 1833,1840,1904,1914, 1958,1992,1995,2003, 2004,2006,2010,2023, 2304,2388,3841. <b>493294</b> Housing-Blower Used on Type No(s). 0004,0005,0006,0007, 0010,0050,0116,0122, 0129,0131,0169,0179, 0187,0188,0192,0197, 0203,0209,0213,0242, 0252,0272,0289,0290, 0297,0298,0309,0334, 0335,0349,0521,0523, 0538,0826,0878,1064, 1137,1377,1378,1380, 1729,1802,1822,1839, 1926,1941,2013,2014, 2027,3139,3140.			<b>790826</b> Housing-Blower Used on Type No(s). 0031,0121,0123,0124, 0125,0127,0133,0144, 0150,0151,0158,0159, 0161,0163,0165,0168, 0172,0175,0177,0180, 0193,0196,0198,0200, 0201,0208,0215,0216, 0217,0218,0219,0221, 0231,0233,0235,0236, 0239,0240,0241,0245, 0246,0247,0248,0253, 0254,0255,0257,0262, 0263,0264,0265,0266, 0267,0268,0271,0275, 0276,0278,0280,0283, 0284,0285,0286,0287, 0288,0294,0299,0306, 0307,0308,0310,0311, 0333,0336,0338,0339, 0340,0351,0372,0373. 0378,0395,0400,0402, 0454,0487,0491,0539, 0548,0555,0615,0625, 0675,0677,0678,0709, 0782,0795,0849,0867, 0875,0880,0893,0909, 0923,0985,0992,1003, 1006,1024,1044,1045, 1047,1055,1111,1133, 1135,1155,1163,1164, 1184,1225,1229,1241, 1252,1297,1298,1343, 1346,1347,1349,1350, 1394,1395,1401,1426, 1435,1443,1446,1706, 1748,1816,1825,1827, 1829,1831,1835,1844, 1845,1846,1853,1963, 1965,2011,2021,2022, 2041,3205,3206,3212, 3216,3217,3709,3849, 4011,4015,4021,4121, 4132,4135,4163,4175, 4181,4183,4184,4199, 4216,4219,4226,4231, 4233,4236,4238,4241, 4248,4329,4568,4678, 4680,4706,4816,4825, 4829,4830,4837.			<b>790983</b> Housing-Blower Used on Type No(s). 0132,0140,0143,0166, 0181,0183,0220,0224, 0279,0475,0660,0662, 0880,0893,0933,1738, 1739,1808,1823,1826, 1847,2015,2017,4823. <b>791291</b> Housing-Blower Used on Type No(s). 0030,0114,0128,0130, 0164,0190,0191,0222, 0225,0227,0230,0234, 0237,0256,0261,0281, 0295,0301,0304,0305, 0330,0331,0332,0374, 0379,0403,1807,1849, 2016,2034,4164,4242, 4824,4849. <b>791135</b> Housing-Blower Used on Type No(s). 0329.

★ Included in Engine Gasket Set-Ref. No.358.

● Included in Carburetor Overhaul Kit-Ref. No. 121.

◆ Included in Carburetor Gasket Set-Ref. No. 977.

⊗ Included in Valve Gasket Set-Ref. No 1095.

**Illustrations cover a range of engines. Parts shown without corresponding text may not be used on your specific engine.**

REF. NO.	PART NO.	DESCRIPTION	REF. NO.	PART NO.	DESCRIPTION	REF. NO.	PART NO.	DESCRIPTION
305	691108	Screw (Blower Housing)	334	691061	Screw (Magneto Armature)	513	692358	Clutch-Drive
306	690450	Shield-Cylinder	337	802592S	Plug-Spark (Resistor)	523	499621	Dipstick
306A	790836	Shield-Cylinder				524	★692296	Seal-Dipstick Tube
307	690345	Screw (Cylinder Shield)			----- <b>Note</b> -----	525	495265	Tube-Dipstick
309	695550	Motor-Starter (Used Before Code Date 07052900).			697451 Plug-Spark (EMS)	544	690786	Armature-Starter
309A	795092	Motor-Starter (Used After Code Date 07052800).	346	690661	Screw (Spark Arrester)	545	492919	Washer Set
310	692327	Bolt (Starter Motor)	347	691396	Switch-Rocker	562	92613	Bolt (Governor Control Lever)
332	690662	Nut (Flywheel)	356	692390	Wire-Stop	563	691138	Screw (Debris Guard Screen)
333	802574	Armature-Magneto ----- <b>Note</b> ----- 790817 Armature- Magneto Used on Type No(s). 0224, 0487, 0761, 1045, 1349, 1443, 1817, 2034, 3761.	356B	693010	Wire-Stop	564	690664	Screw (Control Cover)
333A	793353	Armature-Magneto ----- <b>Note</b> ----- 793354 Armature- Magneto Used on Type No(s). 0121,0150,0151,0154, 0158,0159,0163,0164, 0168,0172,0198,0217, 0218,0221,0235,0246, 0253,0254,0255,0257, 0258,0260,0262,0275, 0276,0277,0278,0279, 0280,0281,0282,0283, 0294,0307,0311,0333, 0372,0395,0400,0680, 0875,0893,0909,1111, 1164,1343,1706,1739, 1748,1749,1750,1807, 1808,1816,1823,1824, 1825,1826,1827,1829, 1831,1835,1837,1844, 1845,1846,1847,1849, 1850,1853,1917,1963, 1965,2011,2015,2016, 2017,2021,2035,2041, 4011,4015,4021,4121, 4163,4164,4175,4680, 4706,4816,4823,4824, 4825,4829,4830,4837, 4849.	356D	496381	Wire-Stop	564A	691142	Screw (Control Cover)
			356G	695283	Wire-Stop	564B	698589	Screw (Control Cover)
			356H	690791	Wire-Stop	578	398153	Wire-Assembly
			356J	691423	Wire-Stop	578A	696031	Wire-Assembly
			358	794307	Gasket Set-Engine	584	697734	Cover-Breather Passage
			363	19069	Flywheel Puller	585	★691879	Gasket-Breather Passage
			365	691688	Screw (Carburetor)	592	690800	Nut (Rewind Starter)
			383	89838S	Wrench-Spark Plug	597	691696	Screw (Pawl Friction Plate)
			404	690272	Washer (Governor Crank)	601	791850	Clamp-Hose
			425A	690670	Screw (Air Cleaner Cover)	601A	691038	Clamp-Hose
			443A	692523	Screw (Air Cleaner Primer Base)	604	691757	Cover-Control
			445A	491588S	Filter-Air Cleaner Cartridge	604A	691344	Cover-Control
			455	791960	Cup-Flywheel	604B	790703	Cover-Control
			456	692299	Plate-Pawl Friction	604C	792418	Cover-Control
			459	281505S	Plate-Ratchet	604D	793770	Cover-Control
			474	691991	Alternator	608	497680	Starter-Rewind ----- <b>Note</b> -----
			497	690664	Screw (Stop Switch Bracket)			791363 Starter- Rewind Used on Type No(s). 0132, 0133, 0143, 0144, 0165, 0166, 0175, 0181, 0201, 0208, 0234, 0263, 0264, 0266, 0268, 0479, 0487, 0491, 4132.
			500	691086	Washer (Key Switch)			
			505	691251	Nut (Governor Control Lever)			
			510	795093	Drive-Starter			

★ Included in Engine Gasket Set-Ref. No.358.

● Included in Carburetor Overhaul Kit-Ref. No. 121.

◆ Included in Carburetor Gasket Set-Ref. No. 977.

⊘ Included in Valve Gasket Set-Ref. No 1095.

**Illustrations cover a range of engines. Parts shown without corresponding text may not be used on your specific engine.**

# 126T00

REF. NO.	PART NO.	DESCRIPTION	REF. NO.	PART NO.	DESCRIPTION	REF. NO.	PART NO.	DESCRIPTION	
613	691340	Screw (Muffler) ----- <b>Note</b> ----- <b>790833</b> Screw (Muffler) Used on Type No(s). 0030,0031,0114,0121, 0123,0124,0125,0128, 0130,0132,0133,0140, 0143,0144,0150,0151, 0158,0159,0161,0164, 0165,0166,0168,0172, 0173,0175,0177,0180, 0181,0183,0190,0191, 0193,0200,0201,0203, 0208,0215,0216,0217, 0219,0220,0222,0224, 0225,0227,0230,0231, 0233,0235,0234,0236, 0237,0239,0240,0241, 0245,0246,0247,0248, 0251,0253,0254,0255, 0256,0261,0263,0264, 0265,0266,0267,0268, 0271,0275,0276,0279, 0280,0281,0282,0283, 0284,0285,0287,0288, 0289,0294,0295,0298, 0299,0301,0304,0305, 0309,0311,0330,0331, 0332,0333,0336,0338, 0372,0373,0374,0378, 0379,0395,0400,0401, 0402,0403,0454,0475, 0487,0491,0548,0555, 0615,0625,0660,0662, 0675,0677,0678,0709, 0782,0795,0849,0867, 0875,0880,0893,0932, 0933,0985,0992,1003,			1006,1024,1044,1045, 1047,1055,1133,1155, 1163,1164,1184,1225, 1229,1241,1252,1297, 1298,1343,1346,1347, 1349,1350,1394,1395, 1401,1426,1435,1446, 1706,1738,1807,1808, 1823,1825,1827,1831, 1845,1847,1849,1851, 1963,1965,2011,2015, 2016,2017,2021,2022, 2034,2041,3205,3212, 3216,3217,3709,3849, 4011,4015,4021,4121, 4132,4135,4163,4164, 4171,4175,4181,4183, 4184,4199,4216,4219, 4231,4233,4236,4241, 4242,4248,4329,4568, 4678,4680,4706,4816, 4823,4824,4825,4829, 4830,4837,4849. <b>792678</b> Screw (Muffler) Used on Type No(s). 0329, 1003, 1844.				
			613A	691653	Screw (Muffler)				
						615	690340	Retainer-Governor Shaft	
						616	698801	Crank-Governor	
						617	★◆270344	Seal-O Ring (Intake Manifold)	
						621	692310	Switch-Stop	
						627	792565	Bracket-Stop Switch	
						627A	793211	Bracket-Stop Switch	
						633	●●691321	Seal-Choke/Throttle Shaft	
						633A	●●693867	Seal-Choke/Throttle Shaft	
						635	66538S	Boot-Spark Plug	
						635A	793351	Boot-Spark Plug	
						651	691660	Screw (Starter Gear Cover)	
						664	691087	Nut (Key Switch)	
						668	★493823	Spacer	
						670	692294	Spacer-Fuel Tank	
						676	396548	Deflector-Muffler	
						676A	393756	Deflector-Muffler	
						676C	493871	Deflector-Muffler	
						676D	497682	Deflector-Muffler	
						676E	393760	Deflector-Muffler	
						677	690661	Screw (Muffler Deflector)	
						684	690345	Screw (Breather Passage Cover)	
						689	691855	Spring-Friction	
						692	690572	Spring-Detent	
						697	691127	Screw (Drive Cap)	
						703	696309	Clip	
						718	690959	Pin-Locating	

★ Included in Engine Gasket Set-Ref. No.358.

● Included in Carburetor Overhaul Kit-Ref. No. 121.

◆ Included in Carburetor Gasket Set-Ref. No. 977.

⊘ Included in Valve Gasket Set-Ref. No 1095.

**Illustrations cover a range of engines. Parts shown without corresponding text may not be used on your specific engine.**



REF. NO.	PART NO.	DESCRIPTION	REF. NO.	PART NO.	DESCRIPTION	REF. NO.	PART NO.	DESCRIPTION
741	797521	Gear-Timing (Metal) (Used After Code Date 08021700). ----- <b>Note</b> ----- 795755 Gear-Timing (Plastic) (Used After Code Date 08021700). 794388 Gear-Timing (Use Without Woodruff Key) (Used After Code Date 07093000 and Before Code Date 08021800). 790345 Gear-Timing (Use Without Woodruff Key) (Used Before Code Date 07100100). 691830 Gear-Timing (Uses Woodruff Key)	836	690664	Screw (Muffler Guard)	921A	695886	Cover-Blower Housing
			836B	691147	Screw (Muffler Guard)	921B	692931	Cover-Blower Housing
			836C	790745	Screw (Muffler Guard)	921C	695889	Cover-Blower Housing
			842	*691031	Seal-O Ring (Dipstick Tube)	921E	696262	Cover-Blower Housing
			843	691884	Sleeve-Lever (Speed Control)	921F	697343	Cover-Blower Housing
			843A	691895	Sleeve-Lever (Choke)	921G	790701	Cover-Blower Housing
			847	692047	Dipstick/Tube Assembly	921H	790037	Cover-Blower Housing
			851	493880S	Terminal-Spark Plug	921J	790036	Cover-Blower Housing
			851A	692424	Terminal-Spark Plug	921K	699984	Cover-Blower Housing
			853	695268	Adapter-Wire ----- <b>Note</b> ----- 698471 Adapter-Wire Used on Type No(s). 4244.	921L	791026	Cover-Blower Housing
			868	697338	Seal-Valve	921M	792652	Cover-Blower Housing
742	93941	Retainer-E Ring	869	691155	Seat-Valve (Intake)	921N	792675	Cover-Blower Housing
745	691648	Screw (Brake)	870	690380	Seat-Valve (Exhaust)	921P	792687	Cover-Blower Housing
783	691918	Gear-Pinion	871	262001	Bushing-Valve Guide (Exhaust) ----- <b>Note</b> ----- 63709 Bushing-Valve Guide (Intake)	921R	793771	Cover-Blower Housing
783A	691269	Gear-Pinion	883	*Ø691881	Gasket-Exhaust	921U	794355	Cover-Blower Housing
784	795095	Cover-Starter Gear	892	690646	Switch-Key	921W	796921	Cover-Blower Housing (Used After Code Date 09010800). ----- <b>Note</b> ----- 796571 Cover-Blower Housing (Used Before Code Date 09010900).
785	692352	Gasket-Starter Cover	910	691094	Stud (Alternator)	921X	796706	Cover-Blower Housing
789B	792685	Harness-Wiring				921Y	798277	Cover-Blower Housing
789C	796385	Harness-Wiring				922	691831	Spring-Brake
789D	796574	Harness-Wiring				922A	692135	Spring-Brake
801	690782	Cap-Drive						
802	695267	Cap-End						
803	695266	Housing-Starter						
832	499034	Guard-Muffler						
832A	691424	Guard-Muffler						
832B	497683	Guard-Muffler						
832E	793568	Guard-Muffler						

★ Included in Engine Gasket Set-Ref. No.358.

● Included in Carburetor Overhaul Kit-Ref. No. 121.

◆ Included in Carburetor Gasket Set-Ref. No. 977.

Ø Included in Valve Gasket Set-Ref. No 1095.

**Illustrations cover a range of engines. Parts shown without corresponding text may not be used on your specific engine.**

# 126T00

REF. NO.	PART NO.	DESCRIPTION	REF. NO.	PART NO.	DESCRIPTION	REF. NO.	PART NO.	DESCRIPTION
923	691994	Brake	923A	695891	Brake	923B	796136	Brake
923A	695891	Brake			----- <b>Note</b> -----			(Used After Code Date 08043000).
923	691994	Brake			<b>695891</b> Brake			Used on Type No(s).
					(Used Before Code Date 08050100).			0011, 0101, 0117,
					Used on Type No(s).			0126, 0133, 0134,
					0011, 0101, 0117,			0135, 0138, 0193,
					0133, 0134, 0135,			0194, 0199, 0201,
					0138, 0199, 0251,			0203, 0207, 0217,
					0454, 0487, 0491,			0235, 0246, 0251,
					0615, 0625, 0680,			0254, 0271, 0275,
					0709, 0761, 0763,			0284, 0287, 0288,
					0842, 0849, 0867,			0290, 0294, 0336,
					0875, 0909, 1706,			0372, 0401, 0402,
					1724, 1737, 1746,			0454, 0487, 0491,
					1748, 1749, 1816,			0615, 0625, 0680,
					1818, 1820, 1827,			0709, 0761, 0763,
					1829, 1830, 1831,			0842, 0849, 0867,
					1835, 1837, 1841,			0875, 0909, 1343,
					1844, 1845, 1846,			1706, 1724, 1737,
					1850, 1852, 1917,			1746, 1748, 1749,
					1963, 1965, 1966,			1816, 1818, 1820,
					2011, 2012, 2021,			1827, 1829, 1830,
					2022, 2035, 2041,			1831, 1835, 1837,
					2148, 2149, 3709,			1841, 1844, 1845,
					3761, 3763, 3842,			1846, 1850, 1852,
					3849, 4135.			1917, 1963, 1965,
								1966, 2011, 2012,
								2021, 2022, 2035,
								2041, 2148, 2149,
								3212, 3221, 3709,
								3761, 3763, 3842,
								3849, 4011, 4135,
								4162, 4163, 4183,
								4199, 4233, 4568,
								4680, 4706, 4816,
								4829, 4837.
								----- <b>Note</b> -----
								<b>796387</b> Brake
								Used on Type No(s).
								0123, 0207, 0208,
								0221, 0239, 0255,
								0257, 0264, 0266,
								0279, 0283, 0285,
								0373, 0400, 1252,
								1298, 1349, 1394,
								1395, 1426, 1446,
								3216, 3217, 4132,
								4171, 4184, 4219,
								4226, 4244, 4248,
								4238, 4329, 4678,
								4810, 4823, 4995.
								<b>796387</b> Brake
								Used on Type No(s).
								0198.

★ Included in Engine Gasket Set-Ref. No.358.

● Included in Carburetor Overhaul Kit-Ref. No. 121.

◆ Included in Carburetor Gasket Set-Ref. No. 977.

⊗ Included in Valve Gasket Set-Ref. No 1095.

**Illustrations cover a range of engines. Parts shown without corresponding text may not be used on your specific engine.**

3728-18

Assemblies include all parts shown in frames.

03/29/2010

REF. NO.	PART NO.	DESCRIPTION	REF. NO.	PART NO.	DESCRIPTION	REF. NO.	PART NO.	DESCRIPTION
925	795403	Cover-Linkage (Used After Code Date 07072200). ----- <b>Note</b> ----- 690595 Cover-Linkage (Used Before Code Date 07072300).	968B	692298	Cover-Air Cleaner	1058	277039	Operator's Manual
			969	690700	Screw (Blower Housing Cover)	1059	692311	Kit-Screw/Washer
			969A	691138	Screw (Blower Housing Cover)	1095	498528	Gasket Set-Valve
			970	691669	Screw (Air Cleaner Primer Bracket)	1119	692979	Screw (Alternator)
930	691919	Guard-Rewind				1160	690345	Screw (Interlock Switch)
930A	691345	Guard-Rewind	972B	699374	Tank-Fuel (Plastic)	1210	498144	Pulley/Spring Assembly (Pulley)
935	499421	Switch-Interlock	975	493640	Bowl-Float	1211	498144	Pulley/Spring Assembly (Spring)
937	691325	Spline-Starter	976	694395	Primer-Carburetor	1319	794467	Label-Warning
946	691738	Stop-Rope	977	498261	Gasket Set-Carburetor	1330	270962	Manual-Repair
949	696306	Guard-Debris Screen	990	691959	Key Set	1386	790848	Vane-Air (Autochoke System)
957B	699985	Cap-Fuel Tank (Plastic)	994	398067	Arrestor-Spark	1387	790849	Spring-Air Vane
958	698183	Valve-Fuel Shut Off (Plastic)	994B	792245	Arrestor-Spark	1388	790850	Screw (Air Vane)
966B	792040	Base-Air Cleaner Primer ----- <b>Note</b> ----- 795259 Base-Air Cleaner Primer Used on Type No(s). 1064, 1155.	997	696310	Shield-Debris			
			1005	691346	Fan-Flywheel			
			1019	694881	Kit-Label			
967A	493537S	Filter-Pre Cleaner	1036		Label-Emissions (Available From A Briggs & Statton Authorized Dealer)			

★ Included in Engine Gasket Set-Ref. No.358.

● Included in Carburetor Overhaul Kit-Ref. No. 121.

◆ Included in Carburetor Gasket Set-Ref. No. 977.

∅ Included in Valve Gasket Set-Ref. No 1095.

**Illustrations cover a range of engines. Parts shown without corresponding text may not be used on your specific engine.**