



# Parts Manual

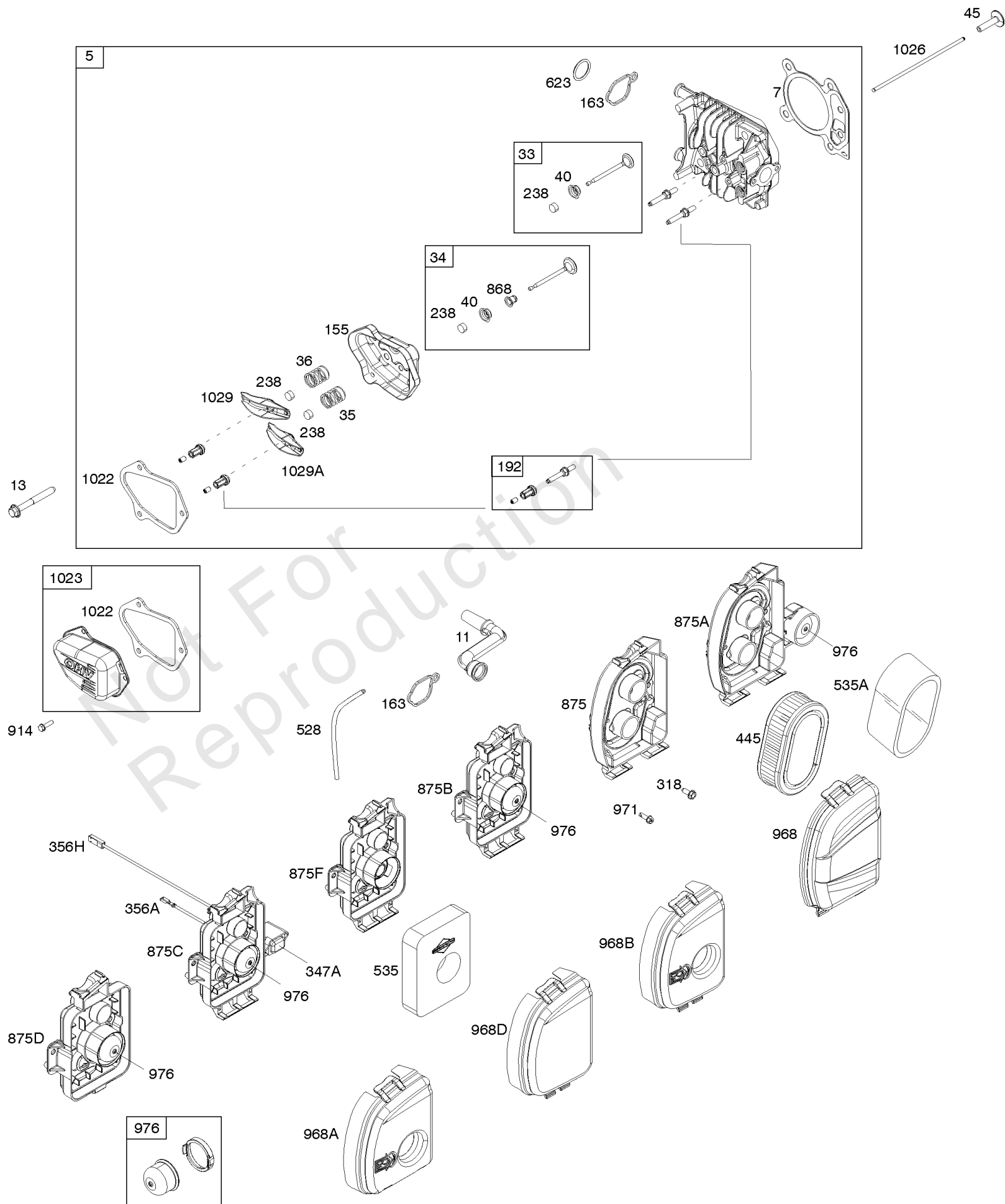
Mfg. No: 09P702-0176-H1



---

<b>Model Components</b>	<b>Page</b>
Air Cleaner, Cylinder Head. ....	4
Armature, Controls, Electrical System, Governor Spring, Ignition, Spark Plug. ....	6
Blower Housing, Rewind Starter. ....	8
Camshaft, Crankshaft, Cylinder, Gasket Set, Piston/Rings/Connecting Rod, Sump, Warning Label. ....	10
Carburetor. ....	14
Exhaust System, Fuel Supply. ....	16
Flywheel. ....	18
Replacement Engine - US & Canada. ....	20

Not For  
Reproduction

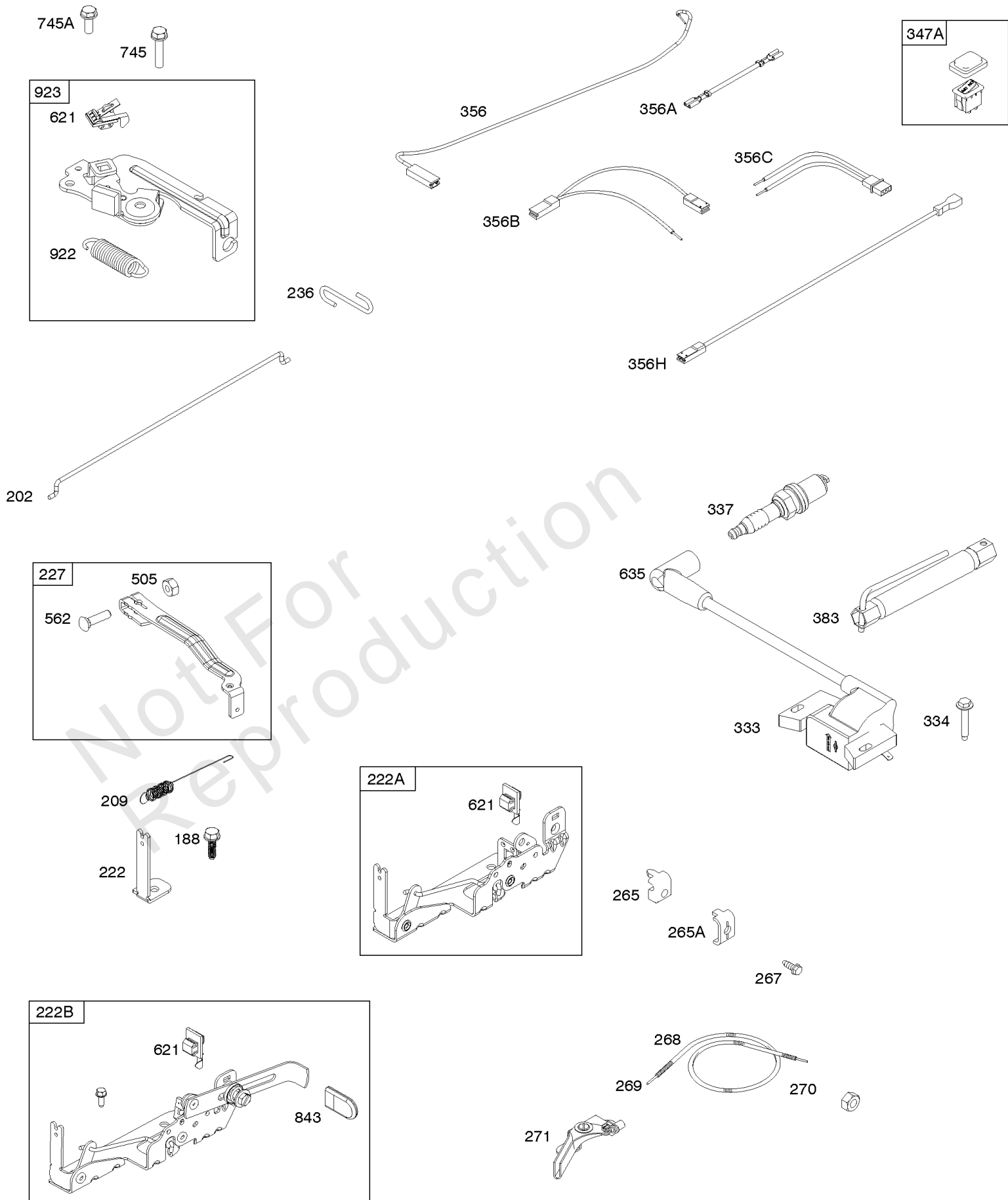


## Air Cleaner, Cylinder Head

REF NO	PART NO	QTY	DESCRIPTION
5	595351		HEAD, Cylinder -Used Before Code Date 18070100
5	84001270		HEAD, Cylinder -Used After Code Date 18063000
7	799586		GASKET, Cylinder Head
11	590522		TUBE, Breather
13	590512		SCREW -(Cylinder Head)
33	590531		VALVE, Exhaust
34	590530		VALVE, Intake -Used Before Code Date 18070100
34	84001987		VALVE, Intake -Used After Code Date 18063000
35	590532		SPRING, Valve -(Intake)
36	590532		SPRING, Valve -(Exhaust)
40	590528		RETAINER, Valve
45	590514		TAPPET, Valve
155	590529		PLATE, Cylinder Head
163	799580		GASKET, Air Cleaner -(Air Cleaner)
192	590535		ADJUSTER, Rocker Arm
238	590533		CAP, Valve
318	793480		SCREW -(Mounting Bracket)
347A	592694		SWITCH, Rocker
356H	798943		WIRE, Stop
445	593260		FILTER, A/C Cartridge
528	793006		HOSE, Primer -(Cut To Required Length)
535	799579		FILTER, Air Cleaner Foam
535A	595191		FILTER, Air Cleaner Foam
623	799581		SEAL, O-Ring -(Carburetor Spacer)
868	590534		SEAL, Valve -Used Before Code Date 18070100
868	84001271		SEAL, Valve -Used After Code Date 18063000
875C	595665		BASE, Air Cleaner -Used After Code Date 16071000
875C	592695		BASE, Air Cleaner -Used Before Code Date 16071100
914	591103		SCREW -(Rocker Cover)
968B	595660		COVER, Air Cleaner
971	590552		SCREW -(Air Cleaner Base to Carburetor/Throttle Body)
976	594281		PRIMER, Carburetor
1022	591255		GASKET, Rocker Cover
1023	595349		COVER, Rocker
1026	590515		ROD, Push
1029	590526		ARM, Rocker
1029A	590527		ARM, Rocker

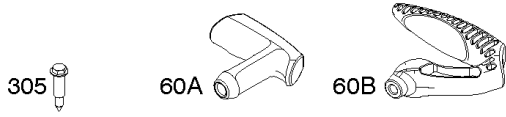
# Armature, Controls, Electrical System, Governor Spring, Ignition, Spark Plug

Mfg. No: 09P702-0176-H1

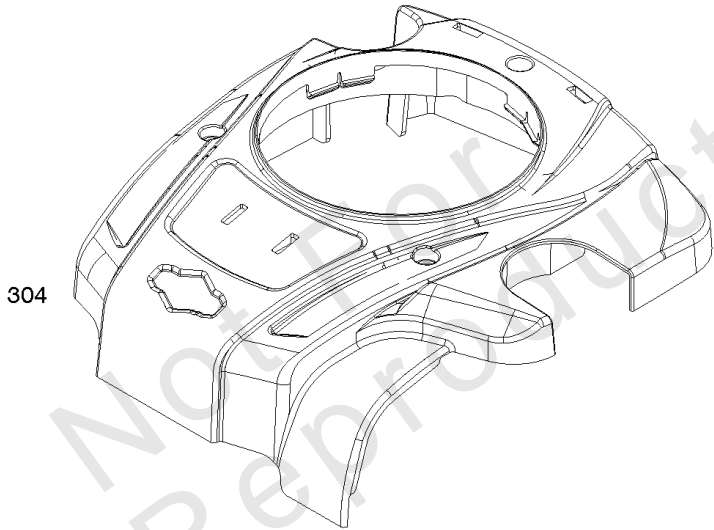
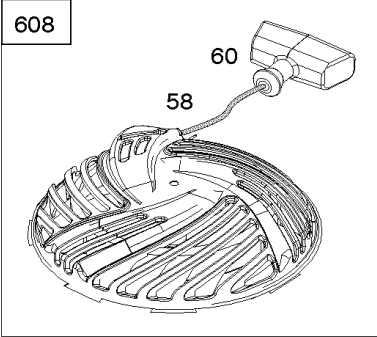


## ***Armature, Controls, Electrical System, Governor Spring, Ignition, Spark Plug***

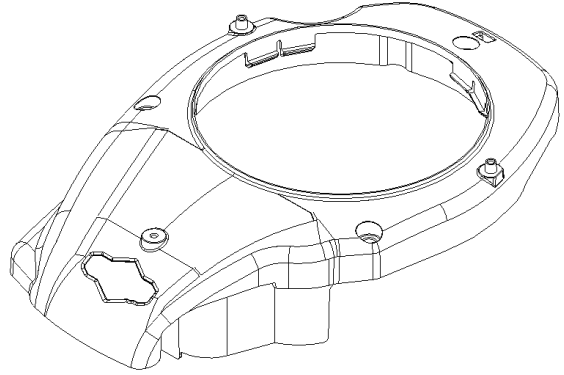
<b>REF NO</b>	<b>PART NO</b>	<b>QTY</b>	<b>DESCRIPTION</b>
188	793480		SCREW -(Control Bracket)
202	590517		LINK, Mechanical Governor
209	592567		SPRING, Governor -Used Before Code Date 16071100
209	597379		SPRING, Governor -Used After Code Date 16071000
222	590560		BRACKET, Control
222A	596458		BRACKET, Control -Used After Code Date 17010100
222A	590561		BRACKET, Control -Used Before Code Date 17010200
222B	596465		BRACKET, Control
227	590520		LEVER, Governor Control
236	591292		LINK, Lockout
265	690798		CLAMP, Casing
265A	691024		CLAMP, Casing
267	692577		SCREW -(Casing Clamp)
268	691025		CASING, Control Wire -(Cut To Required Length)
269	691026		WIRE, Control -(Cut To Required Length)
270	691027		NUT -(Control Wire Casing)
271	691028		LEVER, Control
333	593872		ARMATURE, Magneto
334	691061		SCREW -(Magneto Armature)
337	692720		PLUG, Spark -(EMS)
347A	592694		SWITCH, Rocker
356H	798943		WIRE, Stop
383	19576S		WRENCH, Spark Plug
505	793515		NUT -(Governor Control Lever)
562	793514		BOLT -(Governor Lever)
621	692310		SWITCH, Stop
635	692076		BOOT, Spark Plug
745	691146		SCREW -(Brake)
745A	690859		SCREW -(Brake)
843	593215		SLEEVE, Lever
922	692135		SPRING, Brake
923	691487		BRAKE



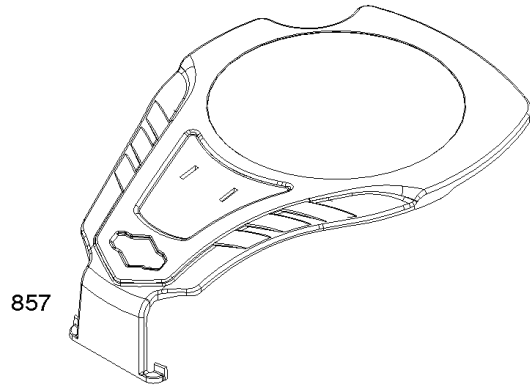
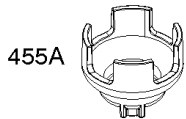
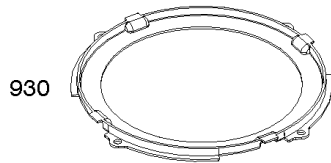
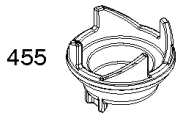
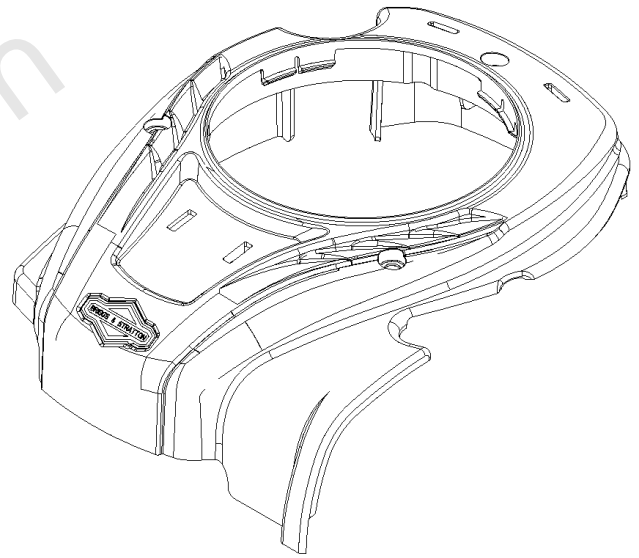
770D



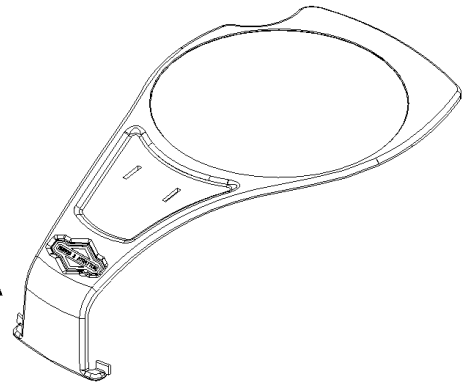
304A



304D



857A



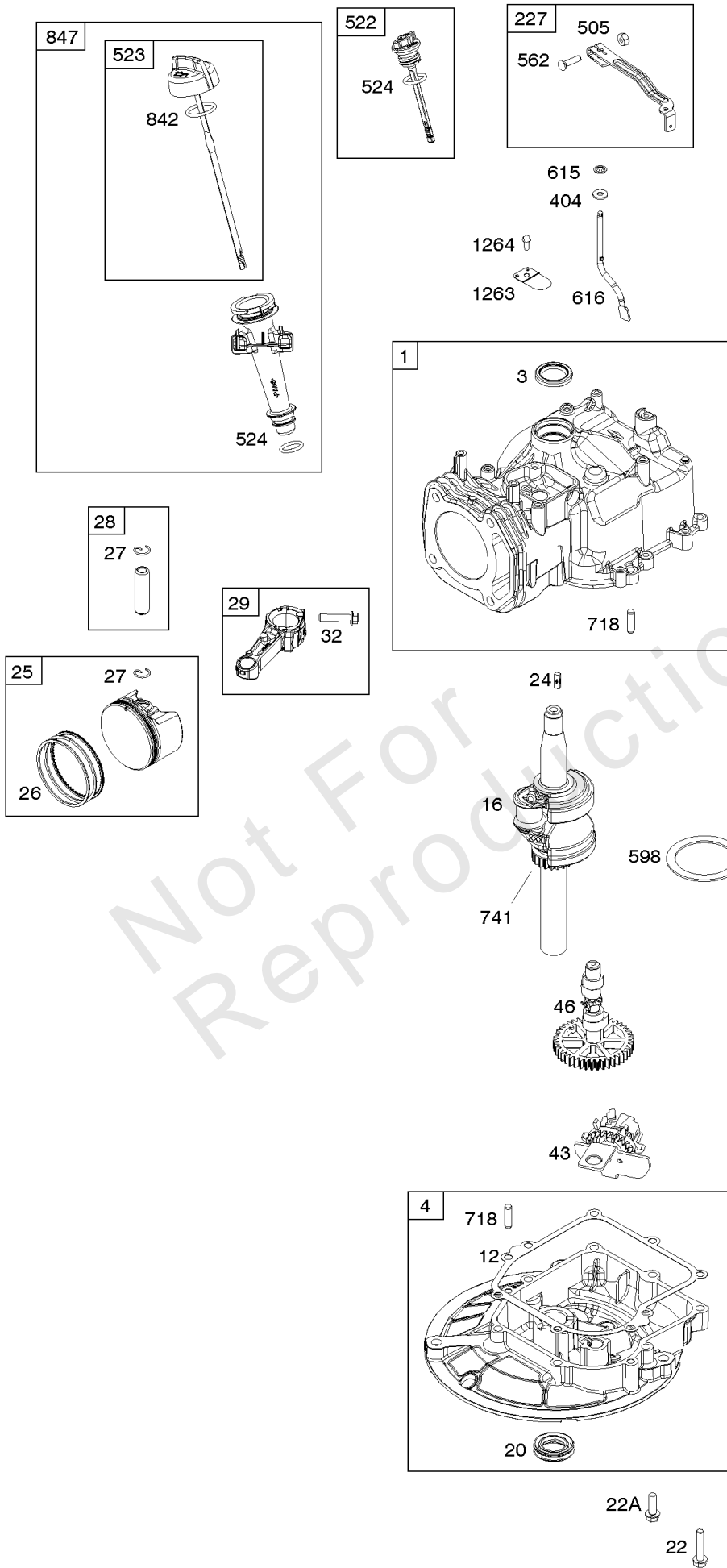


## Blower Housing, Rewind Starter

REF NO	PART NO	QTY	DESCRIPTION
58	591108	1	ROPE, Starter
60	691915	1	GRIP, Starter Rope
60A	281434S	1	GRIP, Starter Rope
60B	799716	1	GRIP, Starter Rope
304	593961	1	HOUSING, Blower
304A	593962	1	HOUSING, Blower
304D	596457	1	HOUSING, Blower
305	590586	3	SCREW -(Blower Housing)
455	590545	1	CUP, Flywheel -Used Before Code Date 14082500
455A	593960	1	CUP, Flywheel -(To Be Used With Reference 608) -Used After Code Date 14082400
608	593959	1	STARTER, Rewind -(To Be Used With Reference 455A) (Not To Be Used With Reference 455) -Used After Code Date 14082400
770D	595355	1	KIT, Rewind/Blower Housing
857	591113	1	TRIM, Blower Housing Cover
857A	591114	1	TRIM, Blower Housing Cover
930	590585	1	GUARD, Rewind -Used Before Code Date 15041300

# Camshaft, Crankshaft, Cylinder, Gasket Set, Piston/Rings/Connecting Rod, Sump,

Mfg. No: 09P702-0176-H1



1319 WARNING LABEL

**WARNING**

Read and follow Operating instructions before running engine.

Gasoline is flammable. Allow engine to cool at least 2 minutes before refueling.

Engines emit carbon monoxide, **DO NOT** run in enclosed area.

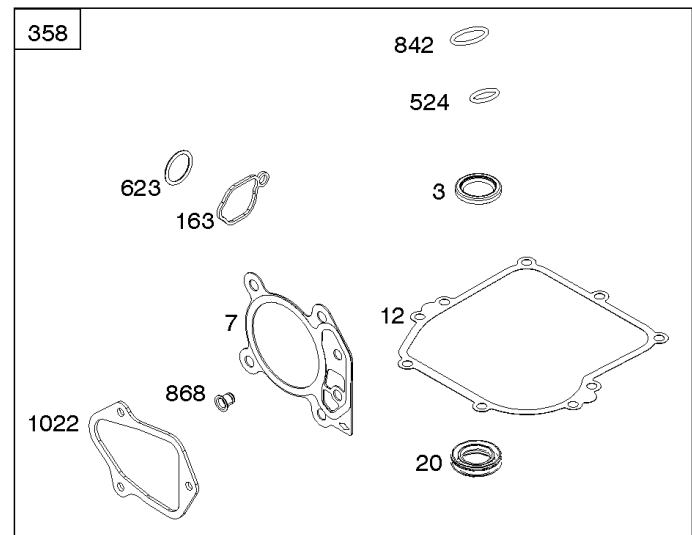
Exhaust area temperature may exceed 150° F. Do not touch hot parts.

**REQUIRED** when replacing parts with warning labels affixed.

1319A WARNING LABEL

**REQUIRED** when replacing parts with warning labels affixed.

1036 EMISSIONS LABEL

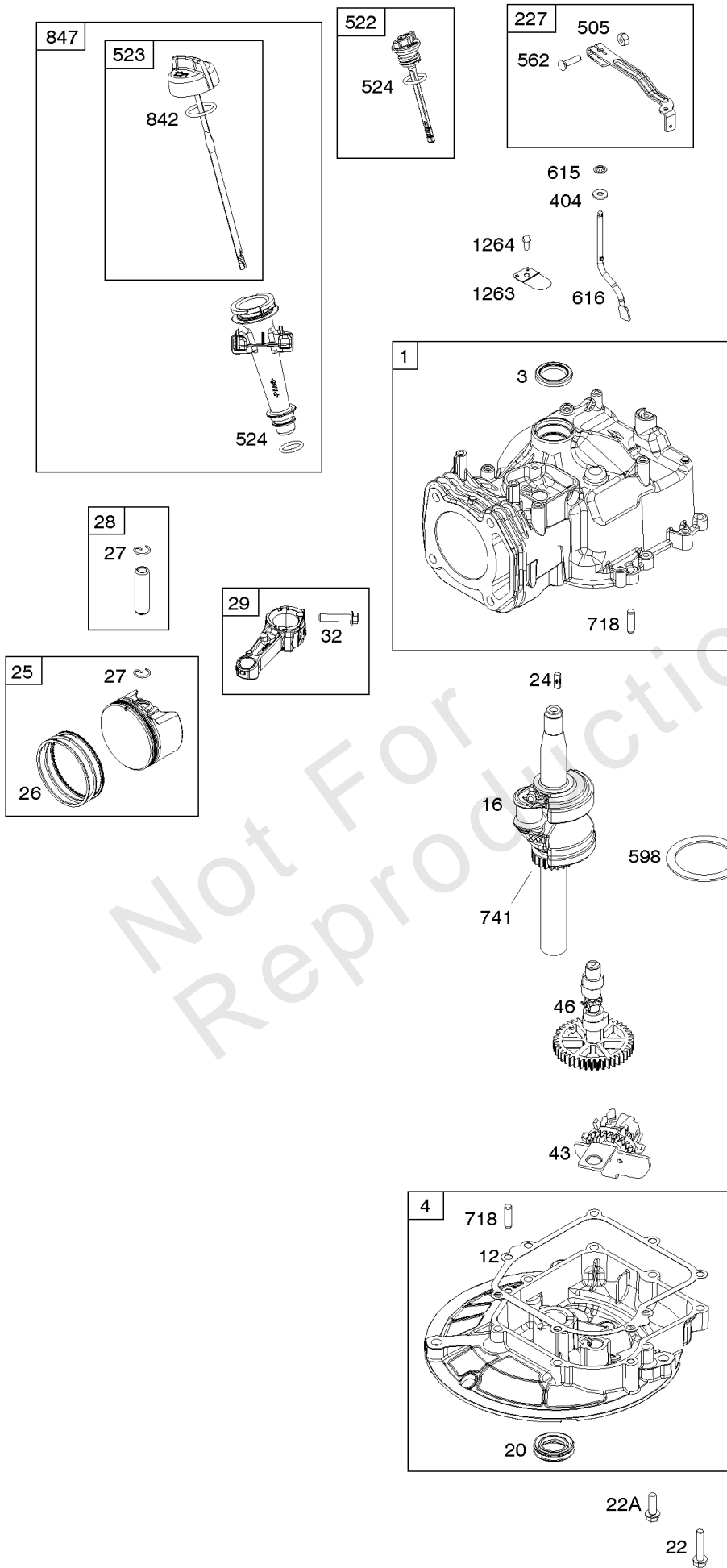


## Camshaft, Crankshaft, Cylinder, Gasket Set, Piston/Rings/Connecting Rod, Sump,

REF NO	PART NO	QTY	DESCRIPTION
1	590519		CYLINDER ASSEMBLY
3	299819S		SEAL, Oil -(Magneto Side)
4	590569		SUMP, Engine
7	799586		GASKET, Cylinder Head
12	799587		GASKET, Crankcase
16	591152		CRANKSHAFT
20	391483S		SEAL, Oil -(PTO Side)
22	692551		SCREW -(Crankcase Cover/Sump)
22A	590763		SCREW -(Crankcase Cover/Sump)
24	222698S		KEY, Flywheel
25	590521		PISTON ASSEMBLY -(Standard)
26	590523		SET, Ring -(Standard)
27	691588		LOCK, Piston Pin
28	699659		PIN, Piston -(Standard)
29	590518		ROD, Connecting
32	691664		SCREW -(Connecting Rod)
43	697799		SLINGER, Governor/Oil -Used Before Code Date 16071100
43	594560		SLINGER, Governor/Oil -Used After Code Date 16071000
46	592968		CAMSHAFT
163	799580		GASKET, Air Cleaner -(Air Cleaner)
227	590520		LEVER, Governor Control
358	595350		GASKET SET, Engine -(Service Kits may include extra parts not specific to this engine.) -Used Before Code Date 18070100
358	84001272		GASKET SET, Engine -(Service Kits may include extra parts not specific to this engine.) -Used After Code Date 18063000
404	690272		WASHER -(Governor Crank)
505	793515		NUT -(Governor Control Lever)
522	590580		PLUG, Dipstick/Fill
523	796503		DIPSTICK
524	691876		SEAL, O-Ring
562	793514		BOLT -(Governor Lever)
598	593291		SHIM, End Play -(Crankshaft or Camshaft Bearing)
615	690340		RETAINER, Governor Shaft
616	590516		CRANK, Governor
623	799581		SEAL, O-Ring -(Carburetor Spacer)
718	690959		PIN, Locating -(Crankcase Cover/Sump)
741	796210		GEAR, Timing -(Plastic)
842	691031		SEAL, O-Ring -(Dipstick Tube)

# Camshaft, Crankshaft, Cylinder, Gasket Set, Piston/Rings/Connecting Rod, Sump,

Mfg. No: 09P702-0176-H1



1319 WARNING LABEL

**WARNING**

Read and follow Operating instructions before running engine.

Gasoline is flammable. Allow engine to cool at least 2 minutes before refueling.

Engines emit carbon monoxide, **DO NOT** run in enclosed area.

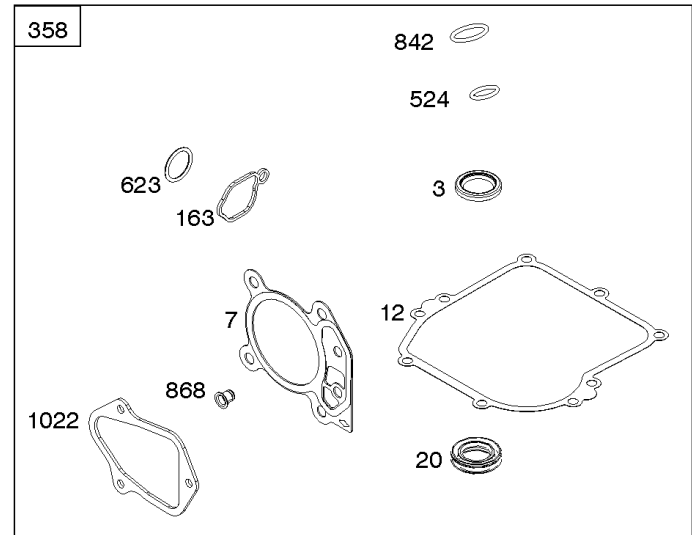
Exhaust area temperature may exceed 150° F. Do not touch hot parts.

**REQUIRED** when replacing parts with warning labels affixed.

1319A WARNING LABEL

**REQUIRED** when replacing parts with warning labels affixed.

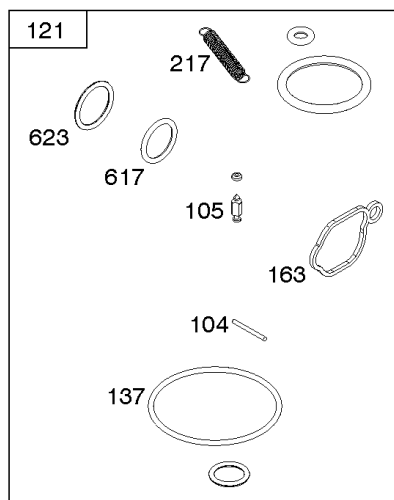
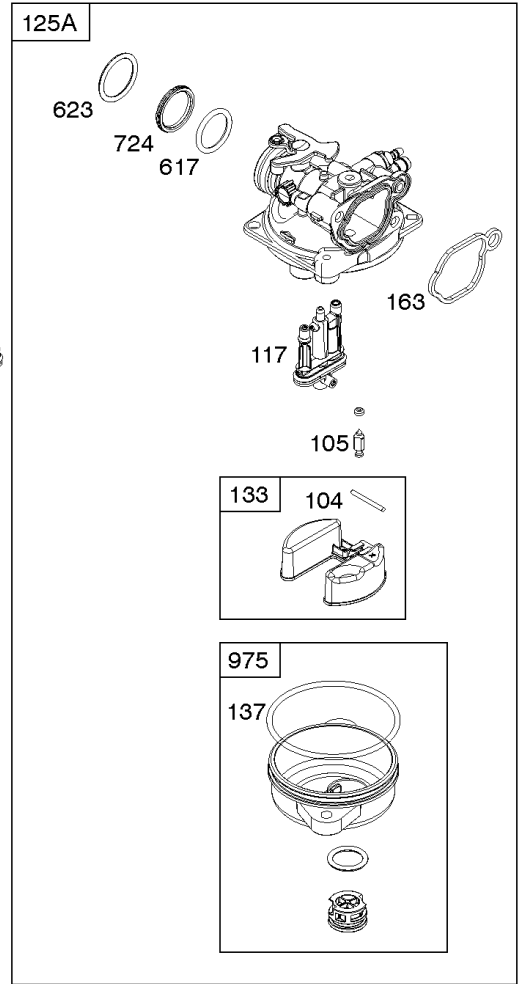
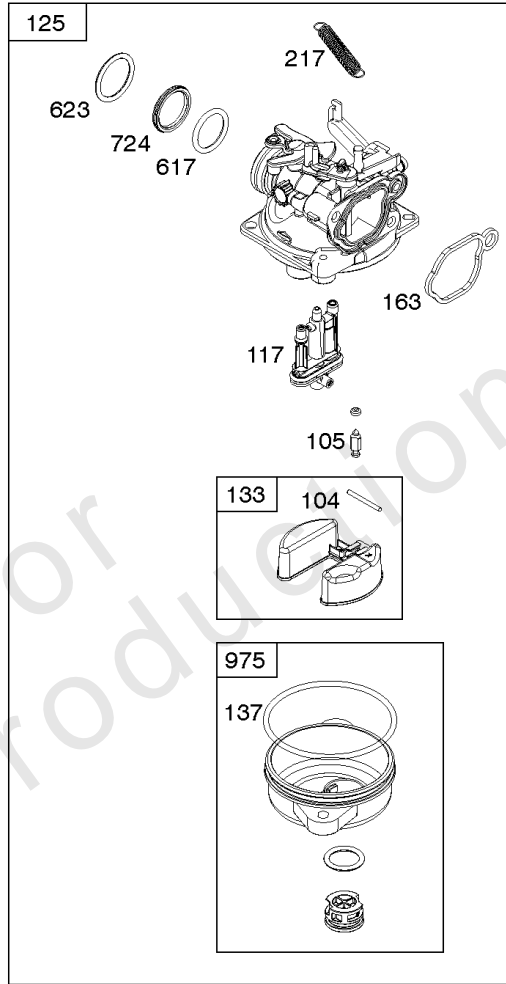
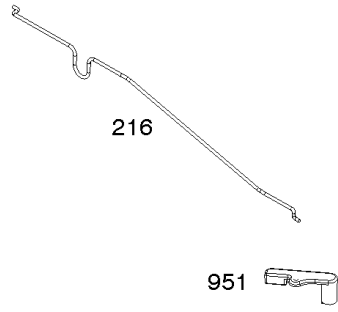
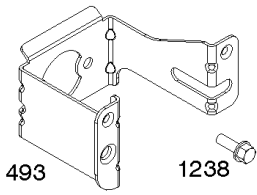
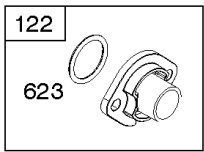
1036 EMISSIONS LABEL



## ***Camshaft, Crankshaft, Cylinder, Gasket Set, Piston/Rings/Connecting Rod, Sump,***

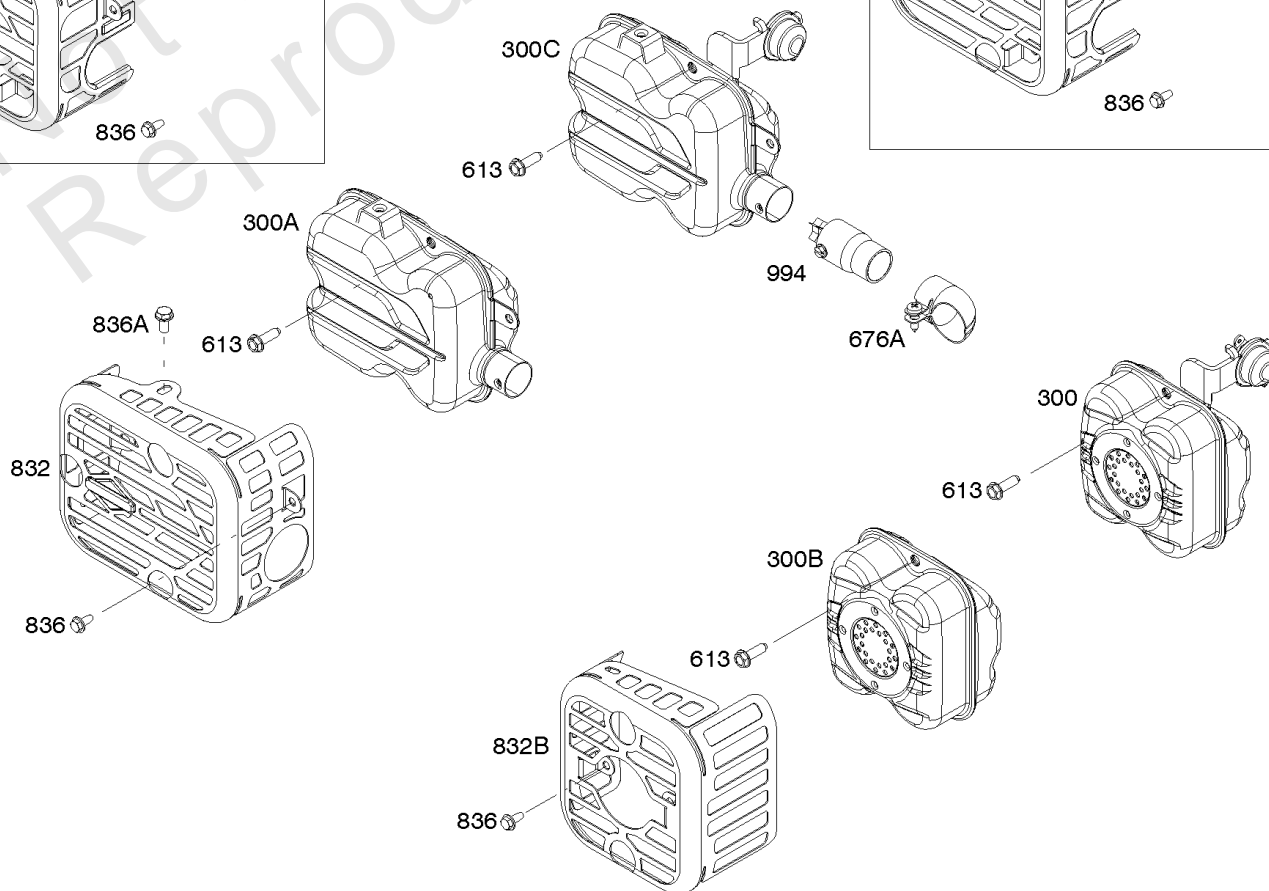
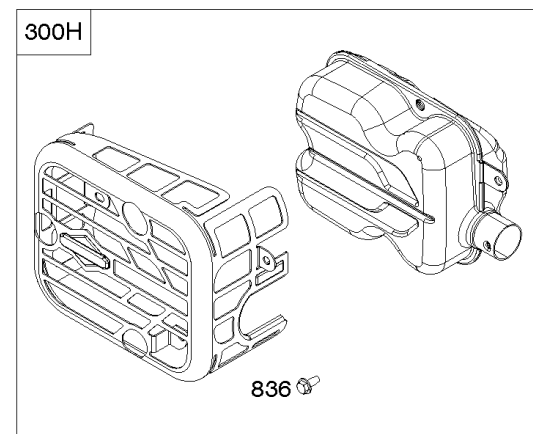
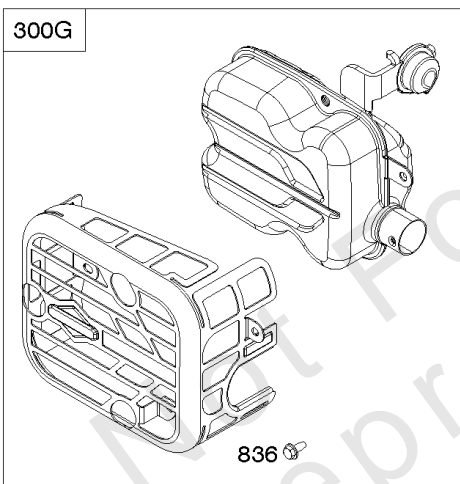
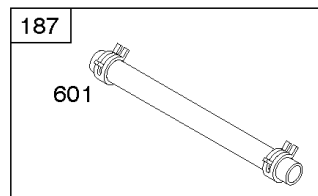
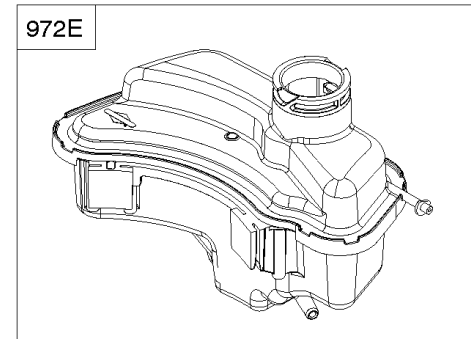
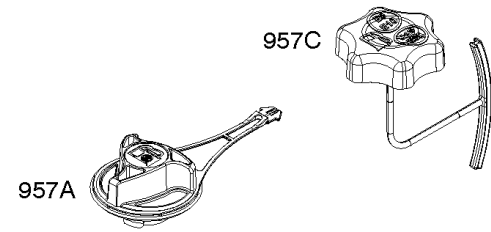
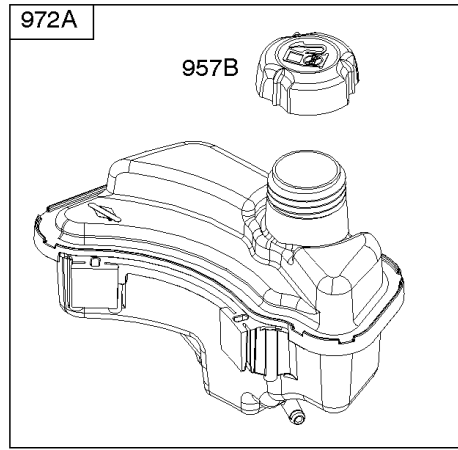
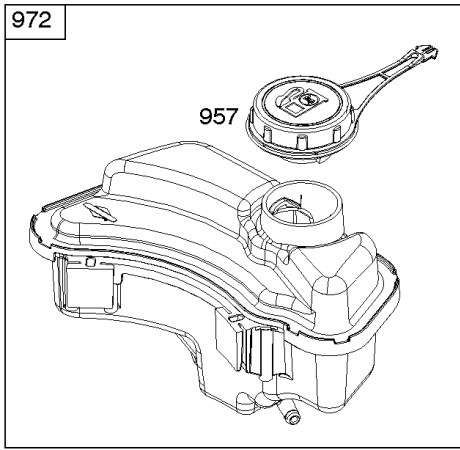
<b>REF NO</b>	<b>PART NO</b>	<b>QTY</b>	<b>DESCRIPTION</b>
847	590572		DIPSTICK/TUBE ASSEMBLY
868	590534		SEAL, Valve -Used Before Code Date 18070100
868	84001271		SEAL, Valve -Used After Code Date 18063000
1022	591255		GASKET, Rocker Cover
1036	-----		Label-Emissions -(Available From A Briggs & Stratton Authorized Dealer)
1263	697124		REED, Breather
1264	793453		SCREW -(Breather Reed)
1319	794467		LABEL, Warning
1319A	797669		LABEL, Warning

Not For Reproduction



## Carburetor

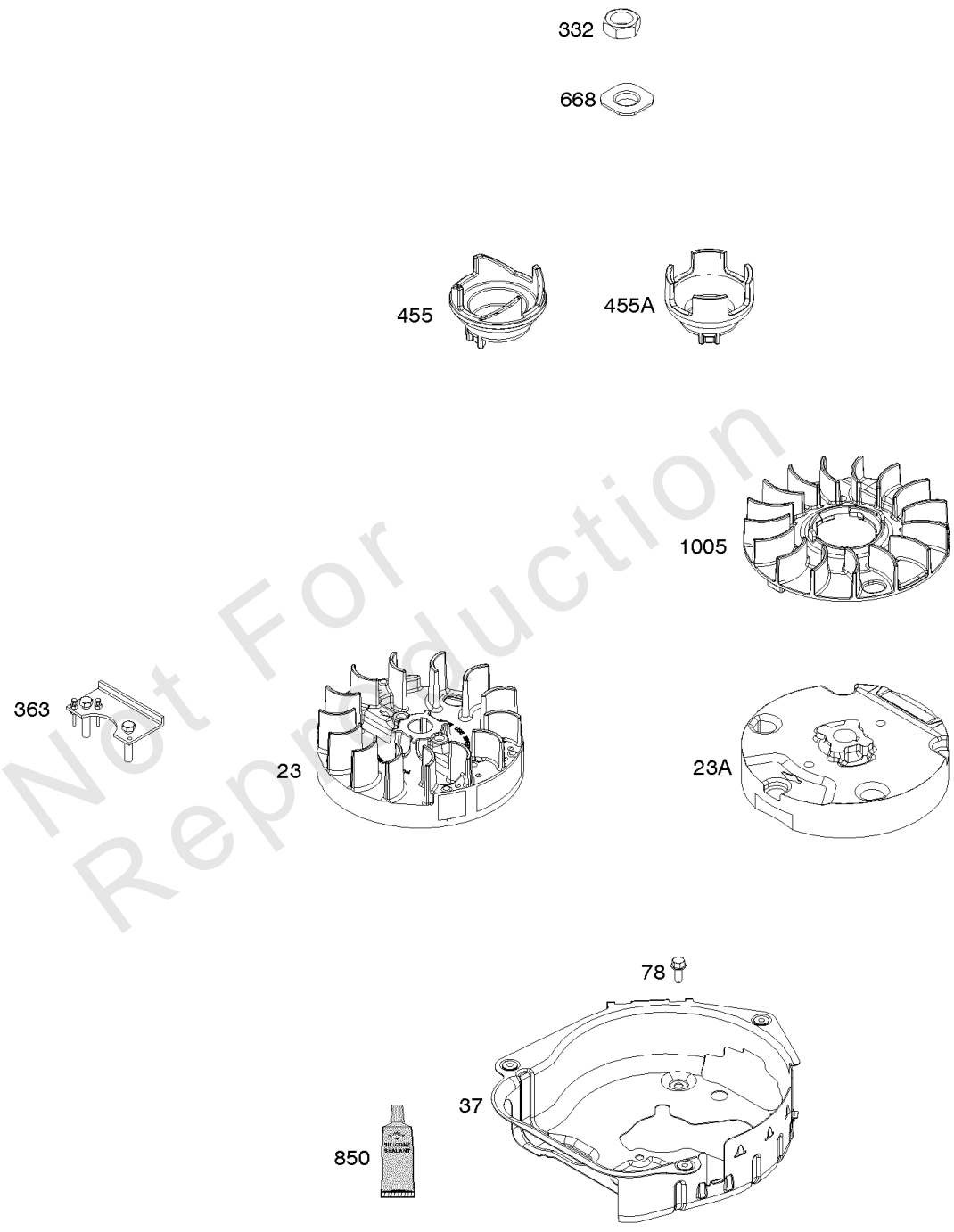
REF NO	PART NO	QTY	DESCRIPTION
104	590558		PIN, Float Hinge
105	594581		VALVE, Float Needle
117	592793		JET, Main -(Standard) -Used Before Code Date 18070100
117	84002105		JET, Main -(Standard) -Used After Code Date 18063000
118	592685		JET, Main -(High Altitude) -Used Before Code Date 18070100
118	84002106		JET, Main -(High Altitude) -Used After Code Date 18063000
121	590589		KIT, Carburetor Overhaul -Used Before Code Date 15030900
121	594636		KIT, Carburetor Overhaul -Used After Code Date 15030800
122	590549		SPACER, Carburetor
125A	590556		CARBURETOR -Used Before Code Date 18070100
125A	84002104		CARBURETOR -Used After Code Date 18063000
133	591120		FLOAT, Carburetor
137	593235		GASKET, Float Bowl -(Pack of 5) -Used Before Code Date 15030900
137	594633		GASKET, Float Bowl -(Pack of 5) -Used After Code Date 15030800
163	799580		GASKET, Air Cleaner -(Air Cleaner)
216	590547		LINK, Choke
217	590740		SPRING, Choke Return
493	593330		BRACKET, Mounting -(Carburetor)
617	270344S		SEAL, O-Ring -(Intake Manifold)
623	799581		SEAL, O-Ring -(Carburetor Spacer)
724	697478		RETAINER, Seal
951	591104		LEVER, Choke
975	591492		BOWL, Float -Used Before Code Date 15030900
975	594632		BOWL, Float -Used After Code Date 15030800
1127	590554		SCREW -(Float Bowl to Carburetor Body)
1238	590562		SCREW -(Carburetor Spacer)





## Exhaust System, Fuel Supply

REF NO	PART NO	QTY	DESCRIPTION
187	791766	1	LINE, Fuel -(Cut To Required Length)
300B	590565	1	MUFFLER
300C	592362	1	MUFFLER -Used Before Code Date 16012800
300G	595516	1	MUFFLER -Used After Code Date 16012700
601	791850	2	CLAMP, Hose
613	590562	2	SCREW -(Muffler)
676A	799187	1	DEFLECTOR, Muffler
832	590566	1	GUARD, Muffler
832B	592709	1	GUARD, Muffler
836	690661	3	SCREW -(Muffler Guard)
836A	793500	3	SCREW -(Muffler Guard)
957	799585	1	CAP, Fuel Tank -(Black) -Used Before Code Date 16100300
957A	-----	1	Cap-Fuel Tank -(Order Replacement Fuel Tank Cap Reference Number 957)
957B	692046	1	CAP, Fuel Tank
957C	596250	1	CAP, Fuel Tank
972A	591947	1	TANK, Fuel
994	690813	1	ARRESTOR, Spark



## Flywheel

REF NO	PART NO	QTY	DESCRIPTION
23	590544		FLYWHEEL
23A	592005		FLYWHEEL
37	594726		GUARD, Flywheel
78	793480		SCREW -(Flywheel Guard)
332	690662		NUT -(Flywheel)
363	19619		PULLER, Flywheel
455	590545		CUP, Flywheel -Used Before Code Date 14082500
455A	593960		CUP, Flywheel -(To Be Used With Reference 608) -Used After Code Date 14082400
668	590546		SPACER -(Flywheel)
850	100106		SEALANT, Liquid
1005	592050		FAN, Flywheel

Not For Reproduction

*Replacement Engine - US & Canada*

---

REF NO	PART NO	QTY	DESCRIPTION
--------	---------	-----	-------------

---

Not For Reproduction

