



Illustrated Parts List

**Pressure Washer / Lavadora de Presión
Model / Modelo 020381**



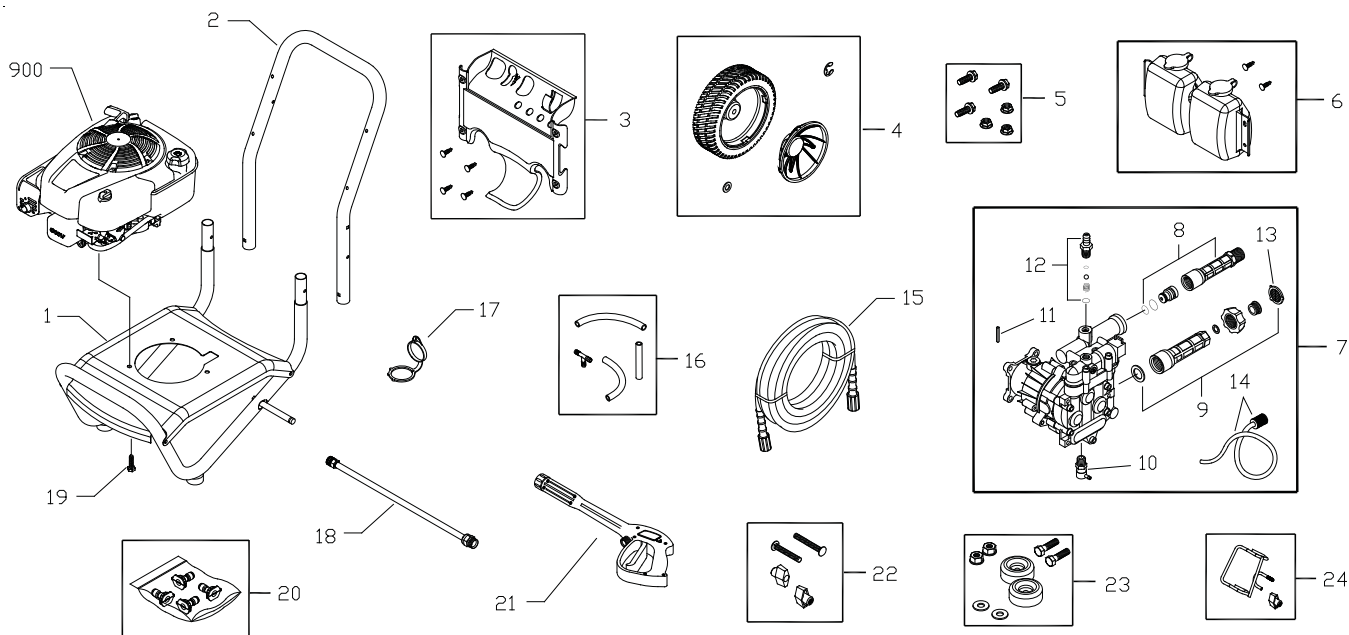
This pressure washer is rated in accordance to the Pressure Washer Manufacture Association (PWMA) standard PW101 (Testing and Rating Performance of Pressure Washers).

**Questions? Preguntas?
Helpline - 1-888-611-6708 M-F 8-5 CT**

Troy-Bilt® is a registered trademark of MTD Products Inc and is used under license to Briggs & Stratton Power Products.
Troy-Bilt® es una marca registrada de MTD y se usa abajo licencia a Briggs & Stratton Power Products

**Briggs & Stratton Power Products Group, LLC
Jefferson, Wisconsin, U.S.A.**

EXPLODED VIEW AND PARTS LIST — MAIN UNIT



Item	Part #	Description
1	310039GS	BASE
2	P199110GS	HANDLE
3	202007GS	BILLBOARD
	195964GS	KIT-TREE CLIPS
4	202477GS	KIT-WHEEL
	192050GS	E-RING
	200519GS	HUBCAP
5	192131GS	KIT-HARDWARE PUMP MOUNTING
6	205366GS	TANK-CHEMICAL
	192980GS	KIT-FUEL VALVE
	195964GS	KIT-TREE CLIPS
7	206376GS	PUMP
8	206375GS	KIT-WATER OUTLET
9	206374GS	KIT-WATER INLET
10	208673GS	VALVE-THERMAL RELIEF
11	23139DGS	KEY
12	190593GS	KIT-CHEMICAL INJ
13	B2384GS	FILTER-GARDEN HOSE
14	189971GS	KIT-CHEMICAL HOSE
15	196138GS	HOSE
16	196813GS	KIT-CHEMICAL HOSE
17	B3222AGS	CAP-CHEMICAL TANK
	B3222BGS	CAP-CHEMICAL TANK
18	200595GS	EXTENSION-QC
19	75246GS	TAPTITE

Item	Part #	Description
20	208583GS	KIT-QC NOZZLES
	198841GS	NOZZLE-QC BLACK
	195983ANGS	NOZZLE- QC RED
	195983PGS	NOZZLE- QC YELLOW
	195983RGS	NOZZLE-QC WHITE
21	204627GS	GUN
22	B2203GS	KIT- HARDWARE HANDLE
23	192310GS	KIT-VIBRATION MOUNT
24	201661GS	WIREFORM
900	§	ENGINE

Parts Not Illustrated

208403GS	MANUAL-OPERATOR'S
BB3061BGS	OIL BOTTLE
794693	LABEL- WARNING
208514GS	DECAL-AIR CLEANER
208401GS	DECAL-SHROUD
194256GS	TAG - WARNING

Optional Accessories

6048	O-RING MAINTENANCE
6039	PUMP SAVER

§ - Contact Engine Manufacturer

Copyright © 2009 Briggs & Stratton Power Products Group, LLC. All rights reserved. No part of this material may be reproduced or transmitted in any form without the express written permission of Briggs & Stratton Power Products Group, LLC.